

OREGON CORNER RESTORATION FORM

CORNER DESIGNATION: T5N, R28E - L14

C-W 1/16 CORNER, SECTION 15, TOWNSHIP 5 NORTH, RANGE 28 EAST, W.M., CITY OF UMATILLA, UMATILLA COUNTY, OREGON.

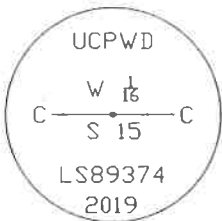
PREVIOUS RENEWALS / SURVEYS, ETC.:

T5N R28E WAS ORIGINALLY SUBDIVIDED BY TIMOTHY W. DAVENPORT UNDER CONTRACT NO 101 DATED AUGUST 5TH, 1861. MANY SURVEYS HAVE BEEN COMPLETED OVER THE YEARS IN AND AROUND SECTION 15. TOWNSHIP REMONUMENATION SURVEYS WERE COMPLETED IN THIS AREA IN SURVEYS 88-045-C AND 98-101-C. I HELD CORNERS SHOWN ON THESE SURVEYS FOR SUBDIVISION OF SECTION 15. SPECIFIC REFERENCES OF THE C-W 1/16 CORNER ARE AS FOLLOWS: IN OCTOBER OF 1950 SURVEYS Q-764-A, Q-1271-A AND Q-1570-AX BY V.R. FRALEY SHOW A 1/2" IRON ROD AT THE CALCULATED CORNER LOCATION. AN UNDATED SURVEY Q-0766-A BY V.R. FRALEY SHOWS A 1/2" IRON ROD AT THE CORNER (FRALEY'S POINT) WITH AN ADDITIONAL POSITION CALLED "STORM'S POINT" CALLED AS BEING 12.4' SOUTH OF THE IRON ROD. SURVEY 94-038-B BY DENNIS EDWARDS IN JANUARY OF 1994 CALCULATED THE POSITION AND SET A REBAR 30 FEET EAST ON THE PURPORTED ROAD EASEMENT RIGHT-OF-WAY. PARTITION PLAT 1995-34 BY RONALD MCKINNIS CALCULATED THE POSITION. IN PARTITION PLAT 2001-32 DATED MAY OF 2001, ROBERT STRATTON SET A 5/8" X 30" REBAR WITH 2" ALUMINUM CAP AT THE CALCULATED LOCATION. SURVEY 15-104-B BY DAVID BAALMAN FOUND AND ACCEPTED THE 2" ALUMINUM CAP SET BY STRATTON IN 2001.

MONUMENT AND ACCESSORIES FOUND:

FOUND 5/8" X 30" IRON REBAR WITH 2" ALUMINUM CAP DESTROYED BY RECENT UTILITY INSTALLATION.

MONUMENT AND ACCESSORIES SET:

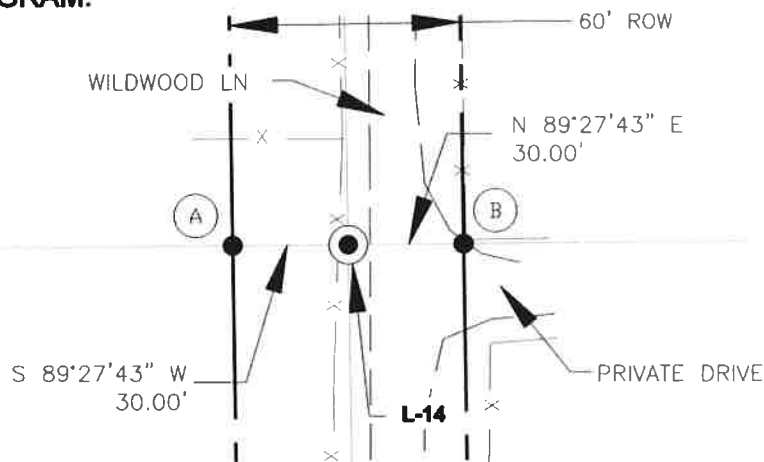


RESET AT POSITION SHOWN ON PARTITION PLAT 2001-32 AT MIDPOINT BETWEEN CALCULATED C1/4 CORNER AND BRASS CAP AT THE W1/4 CORNER OF SECTION 15. SET 5/8" X 30" IRON REBAR WITH 2" ALUMINUM CAP STAMPED AS SHOWN.

REFERENCES:

- (A) SET 5/8" X 30" IRON REBAR MARKED "UCPWD LS89374", BEARS S 89°27'43" W, 30.00'.
- (B) SET 5/8" X 16" IRON REBAR MARKED "UCPWD LS89374", BEARS N 89°27'43" E, 30.00'.

DIAGRAM:



FIRM/AGENCY:

UMATILLA COUNTY PUBLIC WORKS DEPARTMENT
 3920 WESTGATE
 PENDLETON, OREGON 97801
PARTY CHIEF:
 MATT KENNY
WITNESS:
 TROY ALDERSON

LOCATION AND COMMENTS:

STATE PLANE COORDINATE
 NAD 83/91 OREGON NORTH ZONE
 N: 822154.98
 E: 8506945.20

LOCATED ON THE WEST EDGE OF WILDWOOD LN. NEAR A LONG PRIVATE DRIVE TO THE EAST, 840 FEET SOUTH FROM HWY 730.

COMPASS DECLINATION:

REPORTED BEARINGS ARE GRID
 CONVERGENCE ANGLE = 00°50'51"
 DECLINATION IS 14°30' EAST
 CHANGING 7' WEST PER YEAR.

**REGISTERED
 PROFESSIONAL
 LAND SURVEYOR**

Matthew Patrick Kenny

OREGON
 JAN 12, 2016
 MATTHEW PATRICK KENNY
 89374PLS

RENEWS: 6-30-19

19-063-B