

Index File No. N - 21
 T 4N R. 38 E
 Merid. Willamette

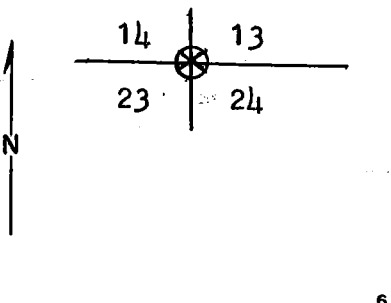
CORNER RECORD (SEARCH)

(Ref. FSM 7151.4)

R.D. W.W. County UMATILLA & UNION LINE
 N.F. Umatilla State Oregon

Tract or Survey No. _____
 Cor. No. _____ Sec 8

CORNER DIAGRAM



DESCRIBE CORNER MONUMENT FOUND

A circle of rocks with a scribed rock in the middle.

DESCRIBE BEARING TREES OR OTHER OFFICIAL ACCESSORIES FOUND

- BT - Douglas Fir. 24" DBH. Appx. 25' S 55° W of corner, scribing not visible.
- BT - Douglas Fir. 29" DBH. Appx. 36' N 60° E from corner, scribing visible.

PHOTO IDENTIFICATION DATA

Photo No. _____
 Filed At. _____
 Object Ident. _____
 Ident. By _____
Signature

DESCRIBE CORNER LOCATION RELATIVE TO NEAR-BY FEATURES, ALSO HOW TO REACH CORNER

PLANE COORDINATE POSITION DATA

State _____ Zone _____
 X _____
 Y _____
 Estab. By _____
Agency

CP Woodell Signature

Title Forester Division TM Headquarters W.W. Date 9/10/71
 7100-52 (3/68)

CORNER RECORD (PERPETUATION)

MONUMENT: DESCRIBE NEW MONUMENT SET, OR WORK DONE TO PRESERVE EXISTING MONUMENT

ACCESSORIES : DESCRIBE NEW BT'S WITNESS OBJECTS ETC. ESTABLISHED, OR WORK DONE TO PRESERVE EXISTING EVIDENCE

Posted 2 trees with BT posters.

Work Done By _____ Title _____ Date _____ State Registration No. or Agency _____

Certified Cor. Record Prepared ? Yes No Filed At: _____ Date _____

REMARKS

Index File No. *N-21* T. R. M. Tract or Surv. No. Cor. _____