

OREGON CORNER RESTORATION FORM

Section: 3, 34 Township: 3N, 4N Range: 33E
 County: Umatilla Date: 3/24/2011

Corner Designation: 3N33A15

Quarter corner common to Sections 3, T3NR33E; 34, T4NR33E.

_____	Condition Report Only
<u> X </u>	Not Found
<u> X </u>	Remonumented
_____	Unrecorded
<u> X </u>	Surveyed In
<u> X </u>	Referenced Out

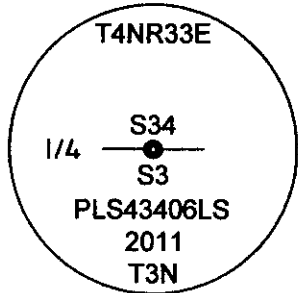
Previous Renewals / Surveys, etc.

Originally surveyed by Thompson in 1864. He set a post in a mound of earth with charred stake, pits, and trench. In 1976 Krumbein set a 5/8" x 30" iron pin with an aluminum cap stamped PLS 933 in Survey 85-124-A.

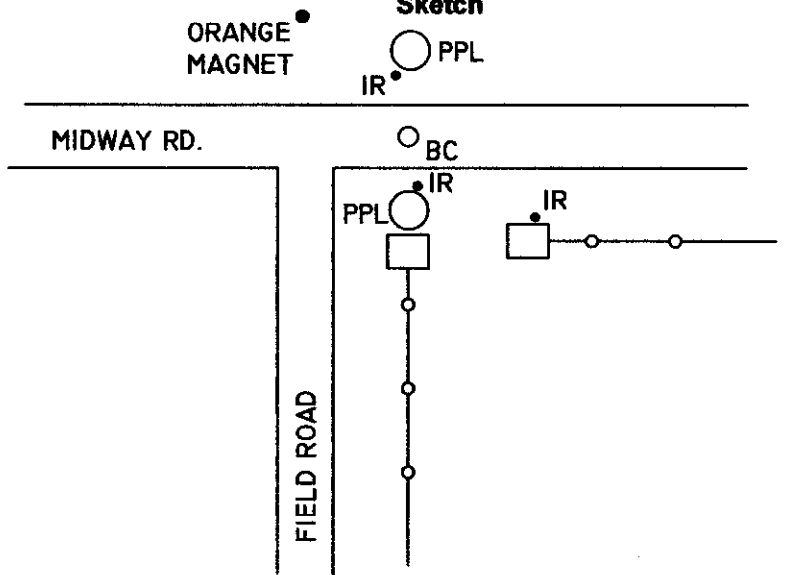
Monuments and Accessories Found: (Condition and Source):

None.

Diagram



Sketch



NAD 83/91
 OREGON STATE PLANE NORTH
 INTERNATIONAL FEET

N774256.84
 E8668034.01

Monument(s) Set (Procedures and Description):

A 1 1/8" x 30 galvanized iron pipe with a 2 1/2" brass cap, stamped as shown above, 1.1' below the surface. The corner location was reestablished at the intersection of the line between found corners to the East and West and the projection of an old fence line from the South. This is the best available evidence of the original corner location.

References Set:

- "Deep One" magnet by Berntsen.
- An orange magnet lies N 42° 50' W, 39.38', 1.6' deep.
- A 5/8" x 30" iron rebar w/RPC #43406 lies N 3° W, 30.29', at a power pole.
- A 5/8" x 30" iron rebar w/RPC #43406 lies S 65° E, 38.57', at a gate post.
- A 5/8" x 30" iron rebar w/RPC #43406 lies S 4° E, 15.24', at a power pole.

Location and Comments:

The corner is located 1/2 mile West of the intersection of Midway Rd. and Enbysk Rd.

Compass Declination

17° E

Surveyors Seal

REGISTERED
 PROFESSIONAL
 LAND SURVEYOR

Robert D. English
 OREGON
 JANUARY 11, 2005
 ROBERT DOUGLAS ENGLISH
 43406LS

RENEWAL DATE: 12/31/13

RECEIVED BY:

Date: 7/10/2012
 Rec'd By: [Signature]
 No. 12-094-C

Firm / Agency

Survey One, LLC.
 P.O. Box 382
 Pendleton, OR 97801
 (541) 276-2055