

OREGON CORNER RESTORATION FORM

Section 26 Township 3N Range 28E
 County Umatilla Date: 06-21-02

Corner Designation: 3N28R17

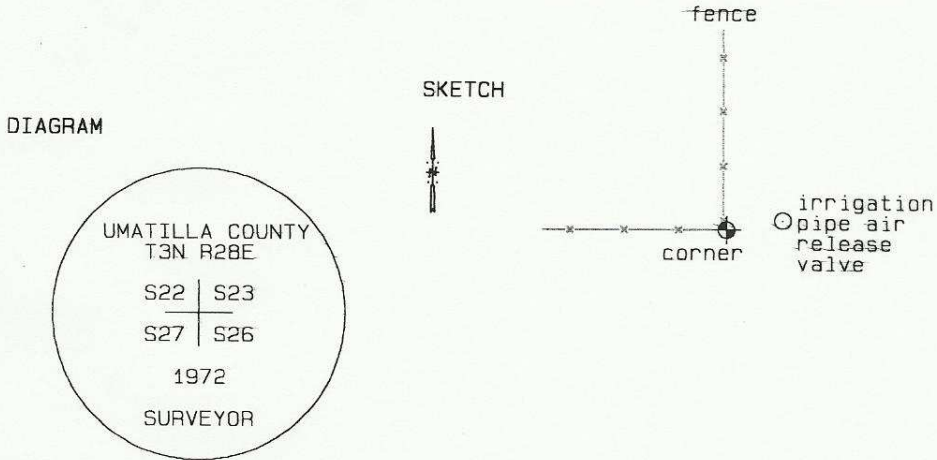
_____ Condition Report Only
 _____ Not Found
 _____ Remonumented
 _____ Unrecorded
 _____ Surveyed In
 _____ Referenced Out

Previous Renewals / Surveys, etc.

Survey H-107-B records setting a brass capped monument here.
 Survey S-119-B records finding a brass capped monument here.

Monument and Accessories Found: (condition and source)

Found the brass capped monument described below in good condition.



MONUMENT (S) AND ACCESSORIES SET (Procedures and Description)

None.

REFERENCES SET:

None.

Made GPS tie to TRI Station Stanfield East Base.	Oregon State Plane Coord. - North Zone
Latitude 45°43'07.36288"N	Northing 750447.44
Longitude 119°17'23.86578"W	Easting 8511148.98
NAD 83(1991)	Ortho Height 683.48
	Ellipsoidal Height 613.95

Location and Comments Compass Declination Surveyors Seal
 20°E

From the junctions of Highways 320 and Rosenberg Road, go southwest on Highway 320 for 0.6 mile. Then go north on a field road 0.3 mile to a fence corner. The corner is at this fence corner.

REGISTERED
 PROFESSIONAL
 LAND SURVEYOR

RECEIVED BY:

Firm / Agency

David L. Haddock

Date: 7-02
 Rec'd By: DK
 No. 02-157-9

Haddock Surveying
 P. O. Box 1574
 Pendleton, OR 97801
 (541) 276-2174

OREGON
 JULY 12, 1968
 DAVID L. HADDOCK
 852

RENEWS 6-30-03