

BOUNDARY SURVEY OF A TRACTS OF LAND LEGEND
 LOCATED IN SECTIONS 11, 13, 14 AND 24,
 T.2N., R.31E., AND SECTIONS 19 AND 30
 T.2N., R.32E W.M., UMATILLA COUNTY,
 OREGON
 W.O. 22-5866

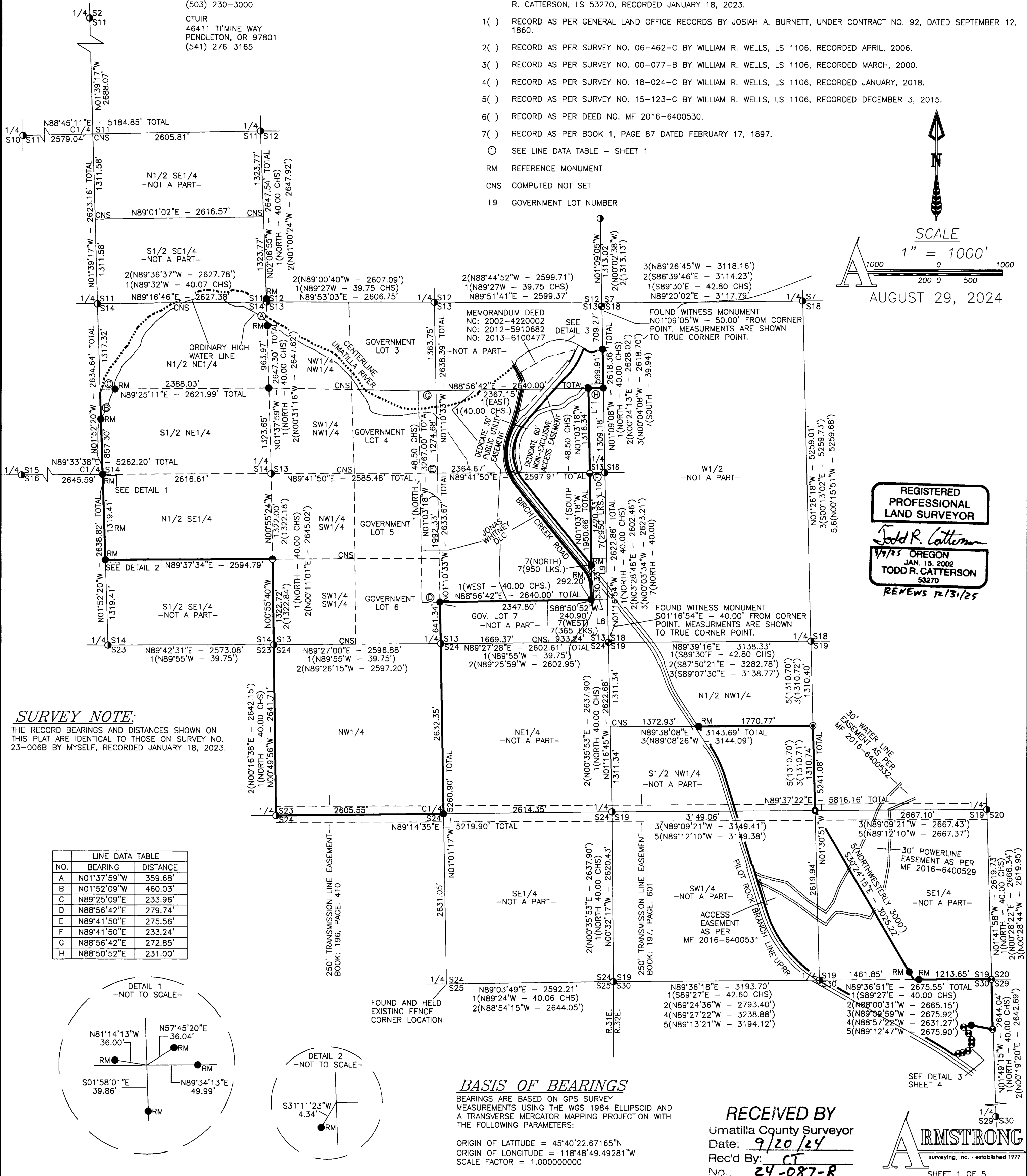
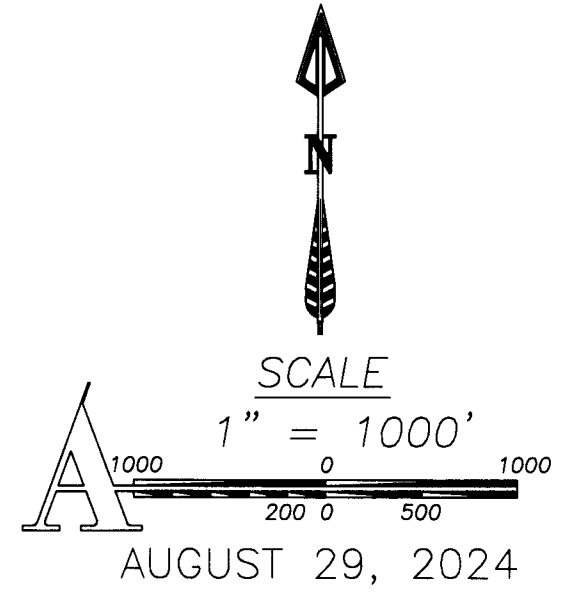
SURVEY FOR
 WESTERN RIVERS CONSERVANCY
 71 SW OAK ST. #100
 PORTLAND, OR 97204
 (503) 241-0151

SURVEY BY
 ARMSTRONG SURVEYING, INC.
 267 NE SECOND ST. STE. 100
 PRINEVILLE, OR 97754
 (541) 447-7791

BONNEVILLE POWER ADMINISTRATION
 905 NE 11TH AVE.
 PRINEVILLE, OR 97232
 (503) 230-3000

CTUIR
 46411 T'IMINE WAY
 PENDLETON, OR 97801
 (541) 276-3165

- SET 5/8" x 30" LONG IRON ROD WITH YELLOW PLASTIC CAP MARKED "ARMSTRONG SURVEYING".
 - SET 5/8" x 30" LONG IRON ROD WITH 2" ALUMINUM CAP MARKED AS SHOWN.
 - FOUND 5/8" IRON ROD AS PER SURVEY NO. 98-177-C BY WILLIAM R. WELLS, LS 1106, RECORDED FEBRUARY 18, 1998.
 - FOUND 1/2" IRON ROD AS PER SURVEY NO. Q-79-B, SURVEYOR UNKNOWN.
 - FOUND 2-1/2" ALUMINUM CAPS AS PER SURVEY NO. 06-462-C BY WILLIAM R. WELLS, LS 1106, RECORDED APRIL, 2006.
 - FOUND 5/8" IRON ROD AS PER SURVEY NO. 00-077-B BY WILLIAM R. WELLS, LS 1106, RECORDED APRIL, 2000.
 - FOUND 5/8" IRON ROD AS PER SURVEY NO. 90-60-B BY WILLIAM R. WELLS, LS 1106, RECORDED OCTOBER, 1990.
 - FOUND 5/8" IRON ROD AS PER SURVEY NO. 18-024-C BY WILLIAM R. WELLS, LS 1106, RECORDED JANUARY, 2018.
 - FOUND STONE AS PER BOOK 1, PAGE 87 DATED FEBRUARY 17, 1897.
 - FOUND 2-1/2" BRASS CAP FOR WITNESS CORNER.
 - FOUND 5/8" IRON ROD WITH YELLOW PLASTIC CAP MARKED "ARMSTRONG SURVEYING" AS PER SURVEY NO. 23-006B BY TODD R. CATTERSON, LS 53270, RECORDED JANUARY 18, 2023.
- 1 () RECORD AS PER GENERAL LAND OFFICE RECORDS BY JOSIAH A. BURNETT, UNDER CONTRACT NO. 92, DATED SEPTEMBER 12, 1860.
- 2 () RECORD AS PER SURVEY NO. 06-462-C BY WILLIAM R. WELLS, LS 1106, RECORDED APRIL, 2006.
- 3 () RECORD AS PER SURVEY NO. 00-077-B BY WILLIAM R. WELLS, LS 1106, RECORDED MARCH, 2000.
- 4 () RECORD AS PER SURVEY NO. 18-024-C BY WILLIAM R. WELLS, LS 1106, RECORDED JANUARY, 2018.
- 5 () RECORD AS PER SURVEY NO. 15-123-C BY WILLIAM R. WELLS, LS 1106, RECORDED DECEMBER 3, 2015.
- 6 () RECORD AS PER DEED NO. MF 2016-6400530.
- 7 () RECORD AS PER BOOK 1, PAGE 87 DATED FEBRUARY 17, 1897.
- ① SEE LINE DATA TABLE - SHEET 1
- RM REFERENCE MONUMENT
- CNS COMPUTED NOT SET
- L9 GOVERNMENT LOT NUMBER



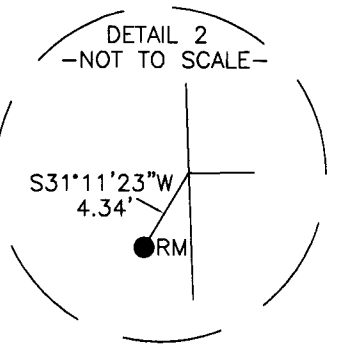
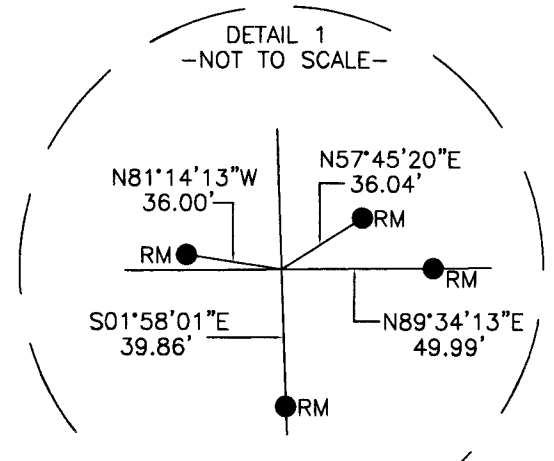
REGISTERED
 PROFESSIONAL
 LAND SURVEYOR

Todd R. Catterson

1/1/23 OREGON
 JAN. 15, 2002
 TODD R. CATTERSON
 53270
 RENEWS 12/31/25

SURVEY NOTE:
 THE RECORD BEARINGS AND DISTANCES SHOWN ON
 THIS PLAT ARE IDENTICAL TO THOSE ON SURVEY NO.
 23-006B BY MYSELF, RECORDED JANUARY 18, 2023.

NO.	BEARING	DISTANCE
A	N01°37'59"W	359.68'
B	N01°52'09"W	460.03'
C	N89°25'09"E	233.96'
D	N88°56'42"E	279.74'
E	N89°41'50"E	275.56'
F	N89°41'50"E	233.24'
G	N88°56'42"E	272.85'
H	N88°50'52"E	231.00'



BASIS OF BEARINGS
 BEARINGS ARE BASED ON GPS SURVEY
 MEASUREMENTS USING THE WGS 1984 ELLIPSOID AND
 A TRANSVERSE MERCATOR MAPPING PROJECTION WITH
 THE FOLLOWING PARAMETERS:

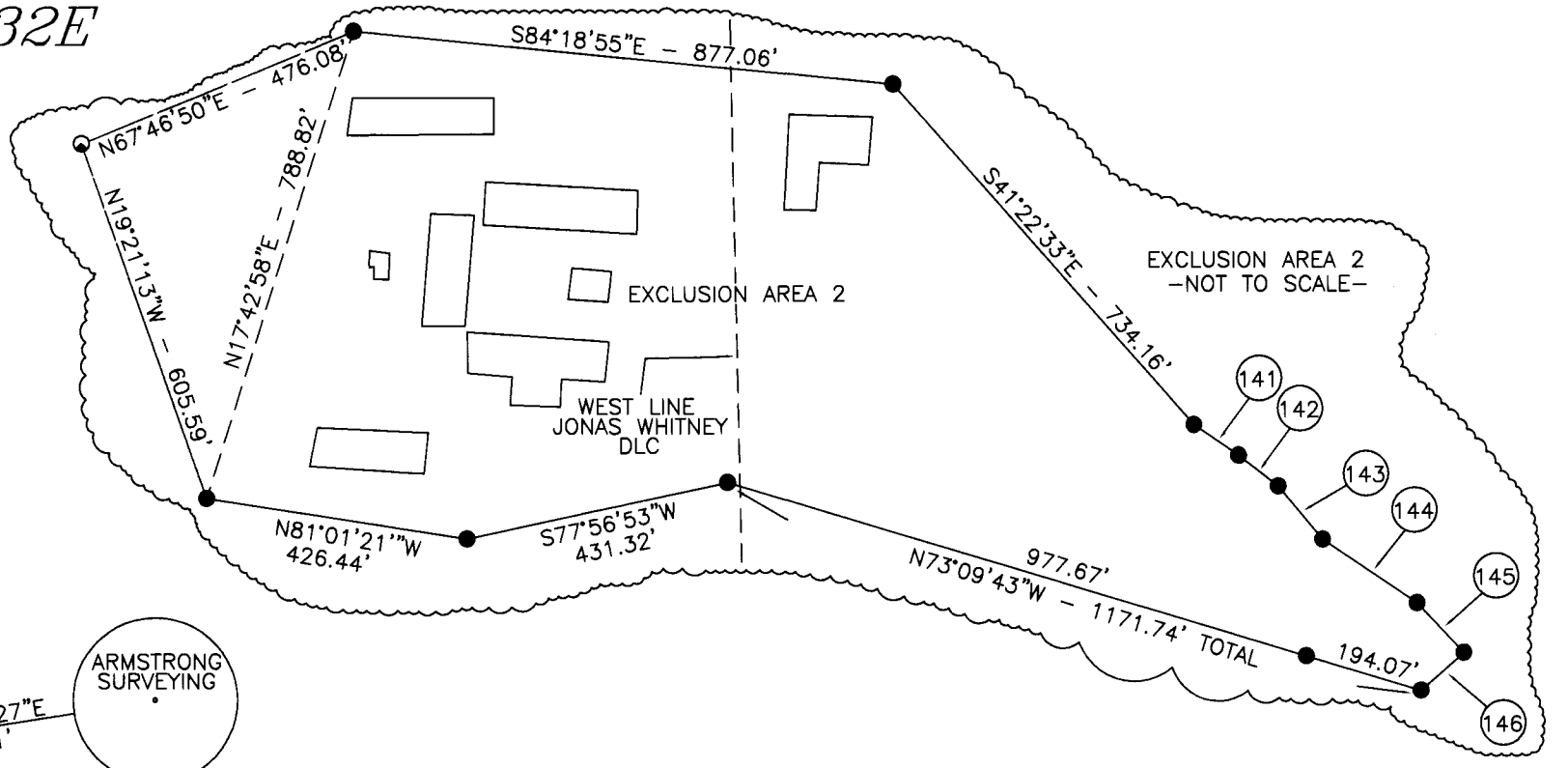
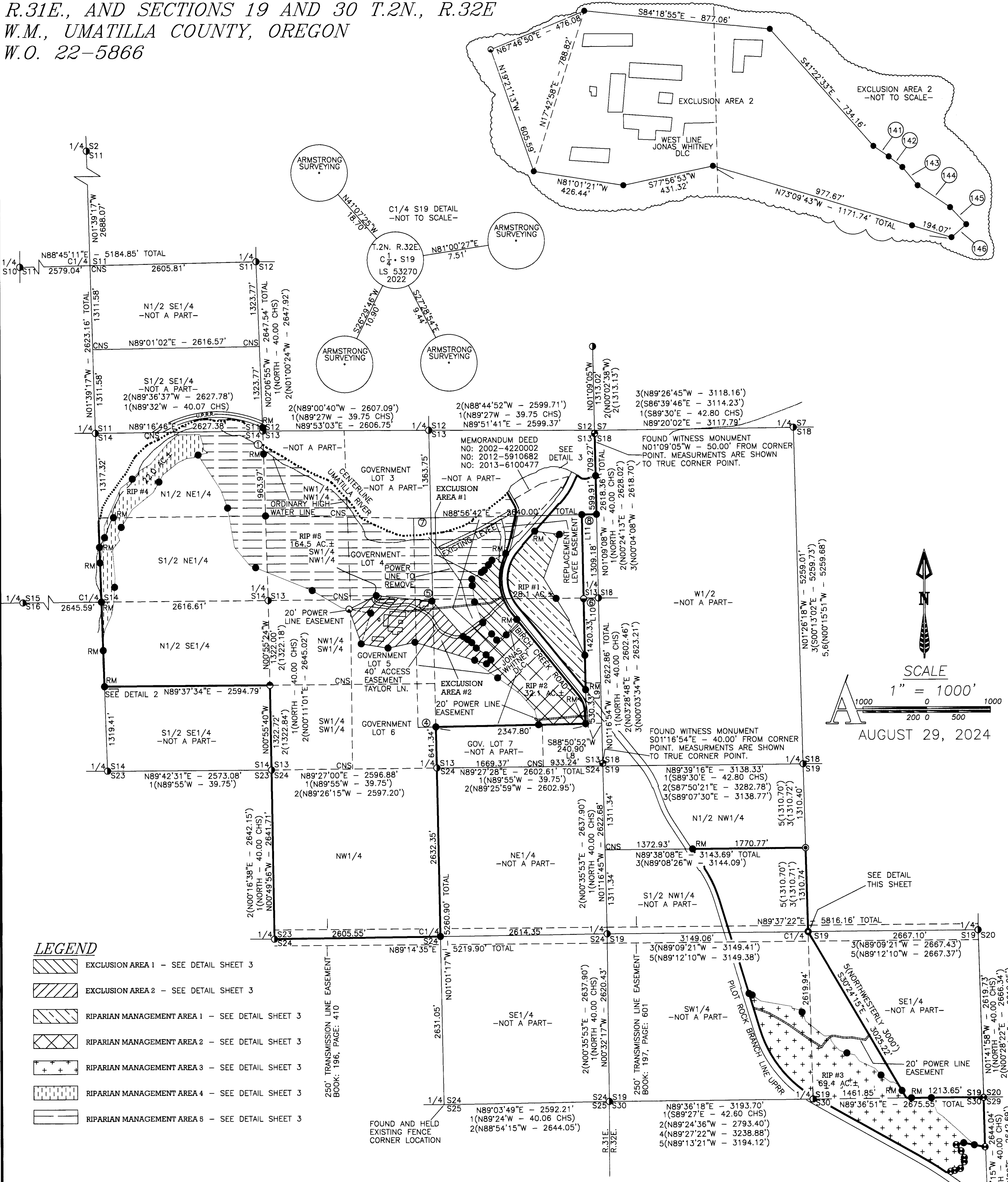
ORIGIN OF LATITUDE = 45°40'22.67165"N
 ORIGIN OF LONGITUDE = 118°48'49.49281"W
 SCALE FACTOR = 1.000000000

RECEIVED BY
 Umatilla County Surveyor
 Date: 9/20/24
 Rec'd By: CT
 No.: 24-087-B

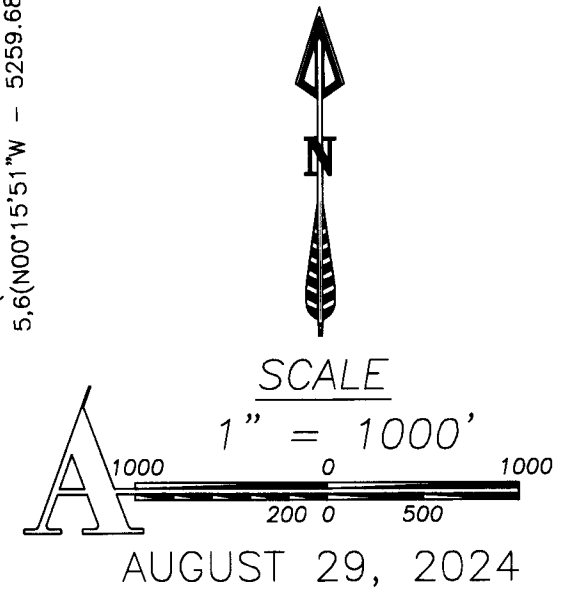
ARMSTRONG
 surveying, inc. - established 1977

SHEET 1 OF 5
 DRG. NO. 22-5866.DWG
 W.O. 22-5866

**BOUNDARY SURVEY OF A TRACTS OF LAND
 LOCATED IN SECTIONS 11, 13, 14 AND 24, T.2N.,
 R.31E., AND SECTIONS 19 AND 30 T.2N., R.32E
 W.M., UMATILLA COUNTY, OREGON
 W.O. 22-5866**



- LEGEND**
- EXCLUSION AREA 1 - SEE DETAIL SHEET 3
 - EXCLUSION AREA 2 - SEE DETAIL SHEET 3
 - RIPARIAN MANAGEMENT AREA 1 - SEE DETAIL SHEET 3
 - RIPARIAN MANAGEMENT AREA 2 - SEE DETAIL SHEET 3
 - RIPARIAN MANAGEMENT AREA 3 - SEE DETAIL SHEET 3
 - RIPARIAN MANAGEMENT AREA 4 - SEE DETAIL SHEET 3
 - RIPARIAN MANAGEMENT AREA 5 - SEE DETAIL SHEET 3



**REGISTERED
 PROFESSIONAL
 LAND SURVEYOR**
Todd R. Catterson
 9/9/24 OREGON
 JAN. 15, 2002
TODD R. CATTERSON
 58270
 RENEWS 12/31/25

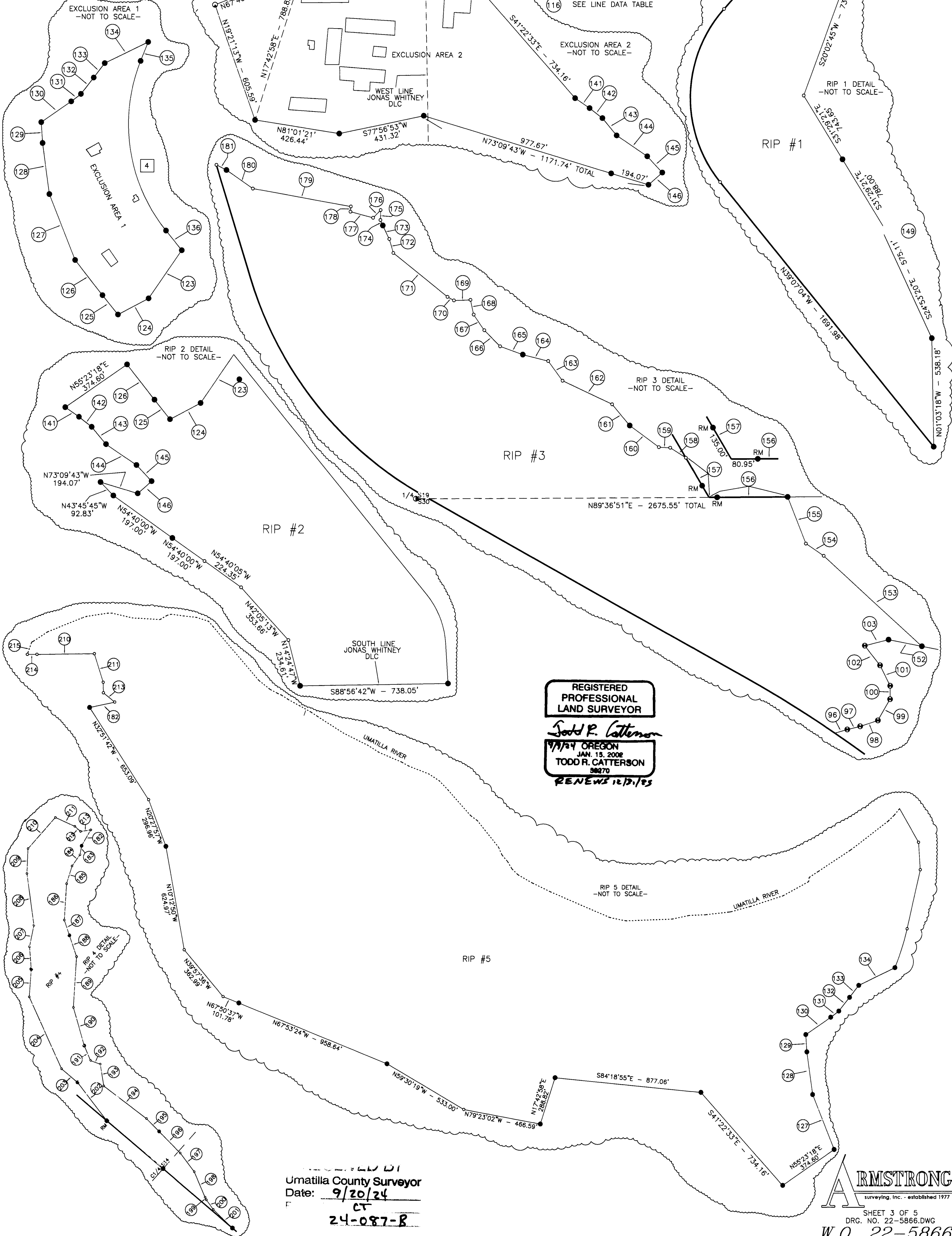
RECEIVED BY
 Umatilla County Surveyor
 Date: 9/20/24
 Read By: CT
 No.: 24-087-B



BOUNDARY SURVEY OF A TRACTS OF LAND LOCATED IN SECTIONS 11, 13,
 14 AND 24, T.2N., R.31E., AND SECTIONS 19 AND 30 T.2N., R.32E W.M.,
 UMATILLA COUNTY, OREGON
 W.O. 22-5866

LEGEND

- 1 SEE CURVE DATA TABLE
- 116 SEE LINE DATA TABLE



REGISTERED
 PROFESSIONAL
 LAND SURVEYOR

Todd R. Catterson
 9/17/24 OREGON
 JAN. 15, 2008
 TODD R. CATTERSON
 36270
 RENEWS 12/15/25

Umatilla County Surveyor
 Date: 9/20/24
 CT
 24-087-B

ARMSTRONG
 surveying, inc. - established 1977
 SHEET 3 OF 5
 DRG. NO. 22-5866.DWG
 W.O. 22-5866

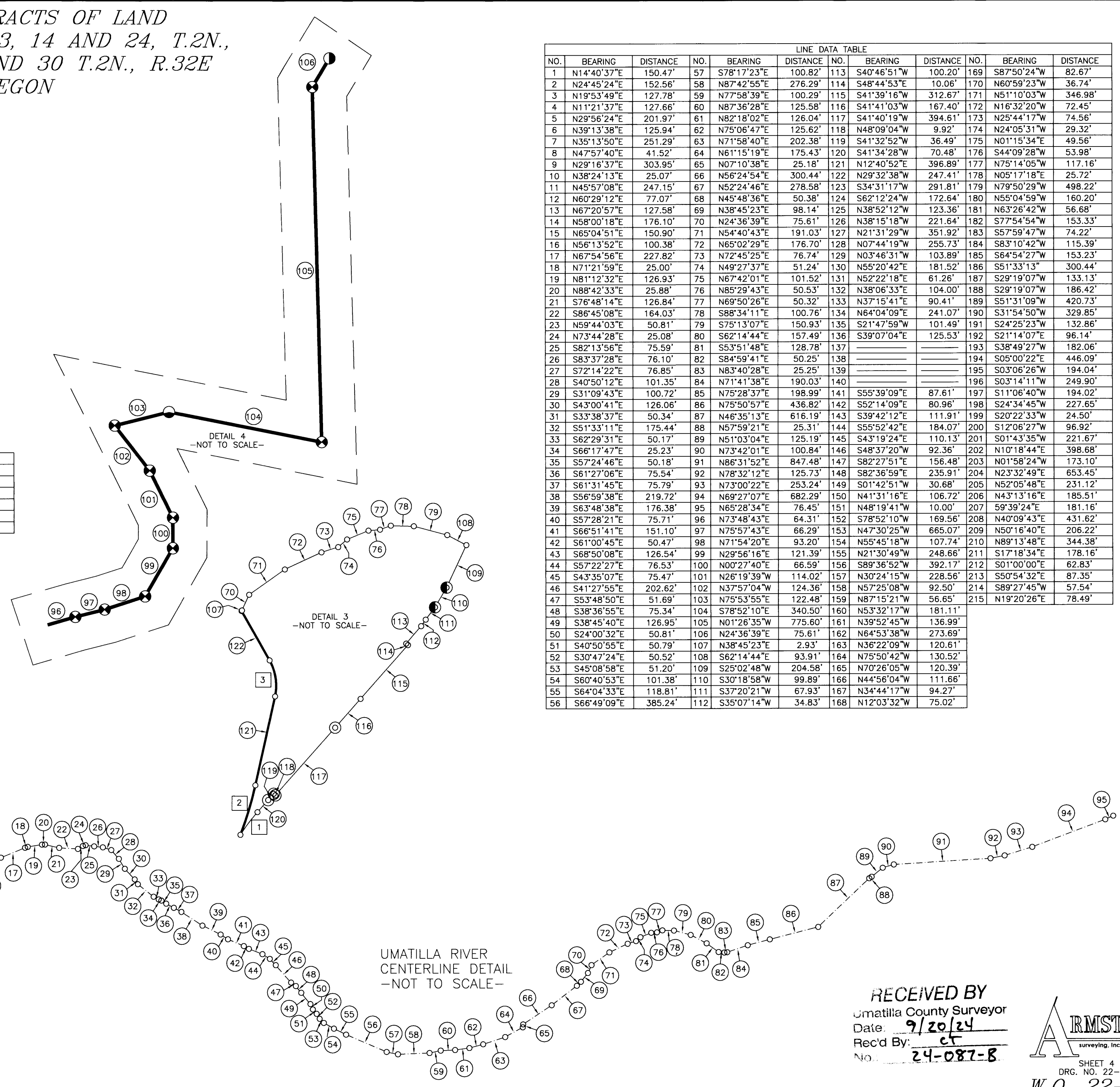
BOUNDARY SURVEY OF A TRACTS OF LAND
 LOCATED IN SECTIONS 11, 13, 14 AND 24, T.2N.,
 R.31E., AND SECTIONS 19 AND 30 T.2N., R.32E
 W.M., UMATILLA COUNTY, OREGON
 W.O. 22-5866

LEGEND

- 1 SEE CURVE DATA TABLE
- 116 SEE LINE DATA TABLE

CURVE DATA TABLE					
	DELTA	RADIUS	LENGTH	CHORD	BEARING
1	09°17'32"	765.00'	124.07'	123.93'	S36°54'06"W
2	08°24'35"	1540.00'	226.04'	225.84'	N16°53'10"E
3	42°13'30"	220.00'	162.13'	158.49'	N08°25'53"W
4	60°55'03"	840.00'	893.10'	851.62'	S08°39'32"E
5	80°39'56"	1330.00'	1872.48'	1721.62'	N01°12'54"E

LINE DATA TABLE											
NO.	BEARING	DISTANCE	NO.	BEARING	DISTANCE	NO.	BEARING	DISTANCE	NO.	BEARING	DISTANCE
1	N14°40'37"E	150.47'	57	S78°17'23"E	100.82'	113	S40°46'51"W	100.20'	169	S87°50'24"W	82.67'
2	N24°45'24"E	152.56'	58	N87°42'55"E	276.29'	114	S48°44'53"E	10.06'	170	N60°59'23"W	36.74'
3	N19°53'49"E	127.78'	59	N77°58'39"E	100.29'	115	S41°39'16"W	312.67'	171	N51°10'03"W	346.98'
4	N11°21'37"E	127.66'	60	N87°36'28"E	125.58'	116	S41°41'03"W	167.40'	172	N16°32'20"W	72.45'
5	N29°56'24"E	201.97'	61	N82°18'02"E	126.04'	117	S41°40'19"W	394.61'	173	N25°44'17"W	74.56'
6	N39°13'38"E	125.94'	62	N75°06'47"E	125.62'	118	N48°09'04"W	9.92'	174	N24°05'31"W	29.32'
7	N35°13'50"E	251.29'	63	N71°58'40"E	202.38'	119	S41°32'52"W	36.49'	175	N01°15'34"E	49.56'
8	N47°57'40"E	41.52'	64	N61°15'19"E	175.43'	120	S41°34'28"W	70.48'	176	S44°09'28"W	53.98'
9	N29°16'37"E	303.95'	65	N07°10'38"E	25.18'	121	N12°40'52"E	396.89'	177	N75°14'05"W	117.16'
10	N38°24'13"E	25.07'	66	N56°24'54"E	300.44'	122	N29°32'38"W	247.41'	178	N05°17'18"E	25.72'
11	N45°57'08"E	247.15'	67	N52°24'46"E	278.58'	123	S34°31'17"W	291.81'	179	N79°50'29"W	498.22'
12	N60°29'12"E	77.07'	68	N45°48'36"E	50.38'	124	S62°12'24"W	172.64'	180	N55°04'59"W	160.20'
13	N67°20'57"E	127.58'	69	N38°45'23"E	98.14'	125	N38°52'12"W	123.36'	181	N63°26'42"W	56.68'
14	N58°00'18"E	176.10'	70	N24°36'39"E	75.61'	126	N38°15'18"W	221.64'	182	S77°54'54"W	153.33'
15	N65°04'51"E	150.90'	71	N54°40'43"E	191.03'	127	N21°31'29"W	351.92'	183	S57°59'47"W	74.22'
16	N56°13'52"E	100.38'	72	N65°02'29"E	176.70'	128	N07°44'19"W	255.73'	184	S83°10'42"W	115.39'
17	N67°54'56"E	227.82'	73	N72°45'25"E	76.74'	129	N03°46'31"W	103.89'	185	S64°54'27"W	153.23'
18	N71°21'59"E	25.00'	74	N49°27'37"E	51.24'	130	N55°20'42"E	181.52'	186	S51°33'13"	300.44'
19	N81°12'32"E	126.93'	75	N67°42'01"E	101.52'	131	N52°22'18"E	61.26'	187	S29°19'07"W	133.13'
20	N88°42'33"E	25.88'	76	N85°29'43"E	50.53'	132	N38°06'33"E	104.00'	188	S29°19'07"W	186.42'
21	S76°48'14"E	126.84'	77	N69°50'26"E	50.32'	133	N37°15'41"E	90.41'	189	S51°31'09"W	420.73'
22	S86°45'08"E	164.03'	78	S88°34'11"E	100.76'	134	N64°04'09"E	241.07'	190	S31°54'50"W	329.85'
23	N59°44'03"E	50.81'	79	S75°13'07"E	150.93'	135	S21°47'59"W	101.49'	191	S24°25'23"W	132.86'
24	N73°44'28"E	25.08'	80	S62°14'44"E	157.49'	136	S39°07'04"E	125.53'	192	S21°14'07"E	96.14'
25	S82°13'56"E	75.59'	81	S53°51'48"E	128.78'	137	-----	-----	193	S38°49'27"W	182.06'
26	S83°37'28"E	76.10'	82	S84°59'41"E	50.25'	138	-----	-----	194	S05°00'22"E	446.09'
27	S72°14'22"E	76.85'	83	N83°40'28"E	25.25'	139	-----	-----	195	S03°06'26"W	194.04'
28	S40°50'12"E	101.35'	84	N71°41'38"E	190.03'	140	-----	-----	196	S03°14'11"W	249.90'
29	S31°09'43"E	100.72'	85	N75°28'37"E	198.99'	141	S55°39'09"E	87.61'	197	S11°06'40"W	194.02'
30	S43°00'41"E	126.06'	86	N75°50'57"E	436.82'	142	S52°14'09"E	80.96'	198	S24°34'45"W	227.65'
31	S33°38'37"E	50.34'	87	N46°35'13"E	616.19'	143	S39°42'12"E	111.91'	199	S20°22'33"W	24.50'
32	S51°33'11"E	175.44'	88	N57°59'21"E	25.31'	144	S55°52'42"E	184.07'	200	S12°06'27"W	96.92'
33	S62°29'31"E	50.17'	89	N51°03'04"E	125.19'	145	S43°19'24"E	110.13'	201	S01°43'35"W	221.67'
34	S66°17'47"E	25.23'	90	N73°42'01"E	100.84'	146	S48°37'20"W	92.36'	202	N10°18'44"E	398.68'
35	S57°24'46"E	50.18'	91	N86°31'52"E	847.48'	147	S82°27'51"E	156.48'	203	N01°58'24"W	173.10'
36	S61°27'06"E	75.54'	92	N78°32'12"E	125.73'	148	S82°36'59"E	235.91'	204	N23°32'49"E	653.45'
37	S61°31'45"E	75.79'	93	N73°00'22"E	253.24'	149	S01°42'51"W	30.68'	205	N52°05'48"E	231.12'
38	S56°59'38"E	219.72'	94	N69°27'07"E	682.29'	150	N41°31'16"E	106.72'	206	N43°13'16"E	185.51'
39	S63°48'38"E	176.38'	95	N65°28'34"E	76.45'	151	N48°19'41"W	10.00'	207	S9°39'24"E	181.16'
40	S57°28'21"E	75.71'	96	N73°48'43"E	64.31'	152	S78°52'10"W	169.56'	208	N40°09'43"E	431.62'
41	S66°51'41"E	151.10'	97	N75°57'43"E	66.29'	153	N47°30'25"W	665.07'	209	N50°16'40"E	206.22'
42	S61°00'45"E	50.47'	98	N71°54'20"E	93.20'	154	N55°45'18"W	107.74'	210	N89°13'48"E	344.38'
43	S68°50'08"E	126.54'	99	N29°56'16"E	121.39'	155	N21°30'49"W	248.66'	211	S17°18'34"E	178.16'
44	S57°22'27"E	76.53'	100	N00°27'40"E	66.59'	156	S89°36'52"W	392.17'	212	S01°00'00"E	62.83'
45	S43°35'07"E	75.47'	101	N26°19'39"W	114.02'	157	N30°24'15"W	228.56'	213	S50°54'32"E	87.35'
46	S41°27'55"E	202.62'	102	N37°57'04"W	124.36'	158	N57°25'08"W	92.50'	214	S89°27'45"W	57.54'
47	S53°48'50"E	51.69'	103	N75°53'55"E	122.48'	159	N87°15'21"W	56.65'	215	N19°20'26"E	78.49'
48	S38°36'55"E	75.34'	104	S78°52'10"E	340.50'	160	N53°32'17"W	181.11'			
49	S38°45'40"E	126.95'	105	N01°26'35"W	775.60'	161	N39°52'45"W	136.99'			
50	S24°00'32"E	50.81'	106	N24°36'39"E	75.61'	162	N64°53'38"W	273.69'			
51	S40°50'55"E	50.79'	107	N38°45'23"E	2.93'	163	N36°22'09"W	120.61'			
52	S30°47'24"E	50.52'	108	S62°14'44"E	93.91'	164	N75°50'42"W	130.52'			
53	S45°08'58"E	51.20'	109	S25°02'48"W	204.58'	165	N70°26'05"W	120.39'			
54	S60°40'53"E	101.38'	110	S30°18'58"W	99.89'	166	N44°56'04"W	111.66'			
55	S64°04'33"E	118.81'	111	S37°20'21"W	67.93'	167	N34°44'17"W	94.27'			
56	S66°49'09"E	385.24'	112	S35°07'14"W	34.83'	168	N12°03'32"W	75.02'			



REGISTERED
 PROFESSIONAL
 LAND SURVEYOR

Todd R. Catterton

4/9/24 OREGON
 JAN. 15, 2002
 TODD R. CATTERTON
 58270

RENEWALS 12/31/25

RECEIVED BY
 Umatilla County Surveyor
 Date: 9/20/24
 Rec'd By: CT
 No. 24-087-B

ARMSTRONG
 surveying, Inc. - established 1977

SHEET 4 OF 5
 DRG. NO. 22-5866.DWG
 W.O. 22-5866

*BOUNDARY SURVEY OF A TRACTS OF LAND
LOCATED IN SECTIONS 11, 13, 14 AND 24, T.2N.,
R.31E., AND SECTIONS 19 AND 30 T.2N., R.32E
W.M., UMATILLA COUNTY, OREGON
W.O. 22-5866*

SURVEY NARRATIVE

WE WERE EMPLOYED BY WESTERN RIVERS CONSERVANCY TO COMPLETE A REVISION OF A BOUNDARY SURVEY OF THEIR PROPERTY LOCATED IN SECTIONS 11, 13, 14 AND 24, T.2N., R.31E. AND IN SECTIONS 19 AND 30, T.2N., R.32E., W.M. UMATILLA COUNTY, OREGON. THE EXTERIOR BOUNDARY OF SUBJECT PROPERTY WAS PREVIOUSLY ESTABLISHED DURING SURVEY NO. 23-006-B PERFORMED BY MYSELF. THE ONLY CHANGES MADE DURING THIS SURVEY COMPARED TO SAID SURVEY NO. 23-006-B ARE TO EXCLUSION AREA 2 AND THE ADDITION OF MULTIPLE EASEMENTS AS SHOWN ON THIS PLAT. THESE CHANGES ARE SHOWN ON SHEETS 2 - 4. THIS SURVEY WAS PERFORMED USING A TRIMBLE R12 GPS SYSTEM IN RTK MODE.

REGISTERED
PROFESSIONAL
LAND SURVEYOR

Todd R. Catterson

9/9/24 OREGON
JAN. 15, 2002
TODD R. CATTERSON
53270

RENEWS 12/31/25

RECEIVED BY
Umatilla County Surveyor
Date: 9/20/24
Rec'd By: CT
No: 24-087-B

SURVEYOR'S CERTIFICATE

I, TODD R. CATTERSON, A REGISTERED PROFESSIONAL LAND SURVEYOR IN THE STATE OF OREGON, ON THE BASIS OF MY KNOWLEDGE, INFORMATION AND BELIEF, CERTIFY TO WESTERN RIVERS CONSERVANCY THAT AS A RESULT OF A SURVEY MADE ON THE GROUND TO THE NORMAL STANDARD OF CARE OF PROFESSIONAL LAND SURVEYORS PRACTICING IN OREGON, I HAVE FOUND OR SET THE MONUMENTS AS SHOWN HEREON AND HAVE PREPARED THIS MAP AND NARRATIVE TO REPRESENT SAID SURVEY.

APPURTENANT EASEMENTS ON PROPERTY

SUBJECT TO ANY EXISTING EASEMENTS & RIGHT-OF-WAYS.

SUBJECT TO EASEMENT OR EASEMENTS, INCLUDING THE TERMS AND PROVISIONS THEREOF, AS CONTAINED IN INSTRUMENT,
RECORDED: JULY 29, 1899
BOOK: 30, PAGE: 512. NOT MAPPABLE

SUBJECT TO AN EASEMENT INCLUDING THE TERMS AND PROVISIONS THEREOF, AFFECTING THE PORTION OF SAID PREMISES AND FOR THE PURPOSES STATED THEREIN AS SET FORTH IN INSTRUMENT:
GRANTED TO: UNITED STATES OF AMERICA
RECORDED: APRIL 18, 1951
BOOK: 196, PAGE: 410. MAPPED

SUBJECT TO AN EASEMENT INCLUDING THE TERMS AND PROVISIONS THEREOF, AFFECTING THE PORTION OF SAID PREMISES AND FOR THE PURPOSES STATED THEREIN AS SET FORTH IN INSTRUMENT:
GRANTED TO: UMATILLA RIVER WATER CONTROL DISTRICT NO. 1
RECORDED: FEBRUARY 16, 1960
BOOK: 257, PAGE: 422. NOT MAPPABLE

SUBJECT TO CROSSING AGREEMENT, INCLUDING THE TERMS AND PROVISIONS THEREOF,
RECORDED: NOVEMBER 28, 1963
BOOK: 274, PAGE: 97
BETWEEN: OREGON-WASHINGTON RAILROAD & NAVIGATION COMPANY AND UNION PACIFIC RAILROAD COMPANY
AND: WILLIAMS R. JOHNS, ETAL. NOT MAPPABLE.

SUBJECT TO AGREEMENT, INCLUDING THE TERMS AND PROVISIONS THEREOF,
RECORDED: JULY 28, 1993
REEL: 239, PAGE: 125. NOT MAPPABLE

SUBJECT TO AN EASEMENT INCLUDING THE TERMS AND PROVISIONS THEREOF, AFFECTING THE PORTION OF SAID PREMISES AND FOR THE PURPOSES STATED THEREIN AS SET FORTH IN INSTRUMENT:
GRANTED TO: PACIFIC POWER & LIGHT COMPANY
RECORDED: JULY 16, 1946
BOOK: 170, PAGE: 360. NOT MAPPABLE

SUBJECT TO AN EASEMENT INCLUDING THE TERMS AND PROVISIONS THEREOF, AFFECTING THE PORTION OF SAID PREMISES AND FOR THE PURPOSES STATED THEREIN AS SET FORTH IN INSTRUMENT:
GRANTED TO: UNITED STATES OF AMERICA
RECORDED: JULY 25, 1951
BOOK: 197, PAGE: 601. MAPPED

SUBJECT TO AN EASEMENT INCLUDING THE TERMS AND PROVISIONS THEREOF, AFFECTING THE PORTION OF SAID PREMISES AND FOR THE PURPOSES STATED THEREIN AS SET FORTH IN INSTRUMENT:
GRANTED TO PACIFIC POWER & LIGHT COMPANY
RECORDED: JUNE 2, 1952
BOOK: 204, PAGE: 523. NOT MAPPABLE

SUBJECT TO AN EASEMENT INCLUDING THE TERMS AND PROVISIONS THEREOF, AFFECTING THE PORTION OF SAID PREMISES AND FOR THE PURPOSES STATED THEREIN AS SET FORTH IN INSTRUMENT:
GRANTED TO: PACIFIC POWER & LIGHT COMPANY
RECORDED: DECEMBER 23, 1971
BOOK: 318, PAGE: 352. NOT MAPPABLE

SUBJECT TO AN EASEMENT INCLUDING THE TERMS AND PROVISIONS THEREOF, AFFECTING THE PORTION OF SAID PREMISES AND FOR THE PURPOSES STATED THEREIN AS SET FORTH IN INSTRUMENT:
GRANTED TO: PACIFIC NORTHWEST BELL TELEPHONE COMPANY, A CORPORATION
RECORDED: MARCH 9, 1972
BOOK: 319, PAGE: 479. NOT MAPPABLE

SUBJECT TO AN EASEMENT INCLUDING THE TERMS AND PROVISIONS THEREOF, AFFECTING THE PORTION OF SAID PREMISES AND FOR THE PURPOSES STATED THEREIN AS SET FORTH IN INSTRUMENT:
GRANTED TO: PACIFICORP, AN OREGON CORPORATION
RECORDED: APRIL 23, 2013
INSTRUMENT NO.: 2013-6040309. NOT MAPPABLE

SUBJECT TO EASEMENT AGREEMENT, INCLUDING THE TERMS AND PROVISIONS THEREOF,
RECORDED NOVEMBER 6, 2015
INSTRUMENT NO.: 2015-6360344. NOT MAPPABLE

RE-RECORDED: NOVEMBER 19, 2015
INSTRUMENT NO.: 2015-6360692. NOT MAPPABLE

AMENDED BY INSTRUMENT,
RECORDED: FEBRUARY 24, 2016
INSTRUMENT NO.: 2016-6400533. NOT MAPPABLE.

SUBJECT TO POWER LINE EASEMENT AGREEMENT, INCLUDING THE TERMS AND PROVISIONS THEREOF,
RECORDED: FEBRUARY 24, 2016
INSTRUMENT NO.: 2016-6400529. MAPPED. SEE RECORD 6.

SUBJECT TO POWER LINE EASEMENT AGREEMENT, INCLUDING THE TERMS AND PROVISIONS THEREOF,
RECORDED: FEBRUARY 24, 2016
INSTRUMENT NO.: 2016-6400530. NOT APPLICABLE.

SUBJECT TO PUMPING FACILITIES EASEMENT AGREEMENT, INCLUDING THE TERMS AND PROVISIONS THEREOF,
RECORDED: FEBRUARY 24, 2016
INSTRUMENT NO.: 2016-6400531. MAPPED.

SUBJECT TO IRRIGATION PIPELINE EASEMENT AGREEMENT, INCLUDING THE TERMS AND PROVISIONS THEREOF,
RECORDED: FEBRUARY 24, 2016
INSTRUMENT NO.: 2016-6400532. MAPPED.

ARMSTRONG
surveying, Inc. - established 1977

SHEET 5 OF 5
DRG. NO. 22-5866.DWG
W.O. 22-5866