

RECORD OF SURVEY

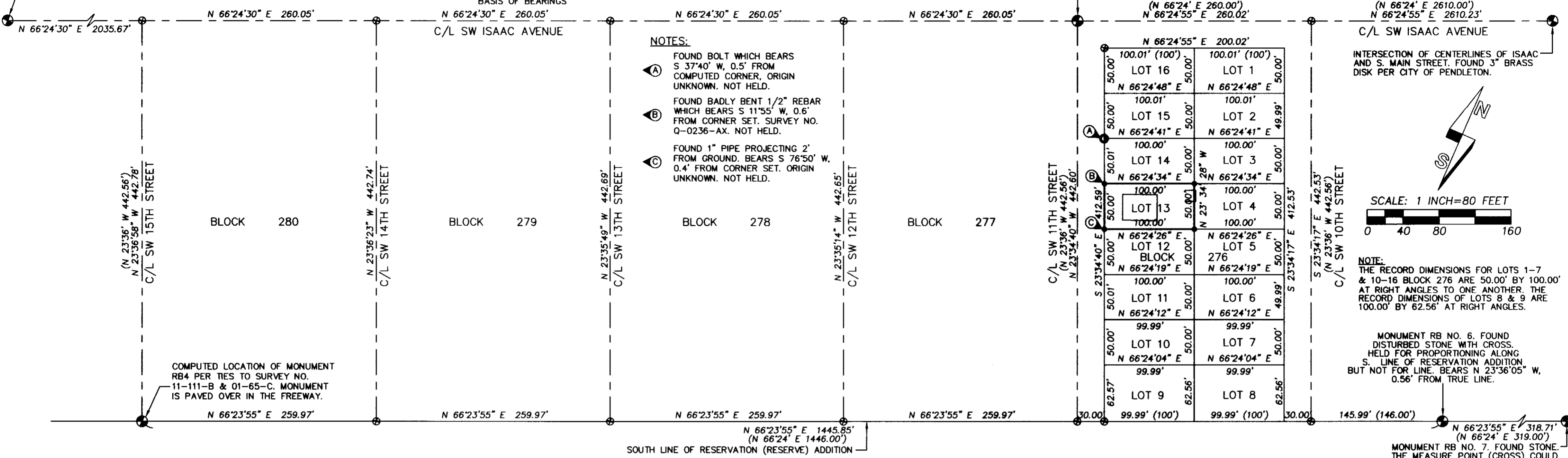
MONUMENT RB NO. 3. FOUND 1 1/2" BRASS CAP IN MONUMENT CASE CASE PER CITY OF PENDLETON.

(N 66°24'30" E 3075.84') S.N. 01-65-C
N 66°24'30" E 3075.87'
BASIS OF BEARINGS

MONUMENT IM NO. 4. FOUND BRASS PIN IN MONUMENT CASE PER CASE PER CITY OF PENDLETON.

(N 66°24' E 260.00')
N 66°24'55" E 260.02'

(N 66°24' E 2610.00')
N 66°24'55" E 2610.23'



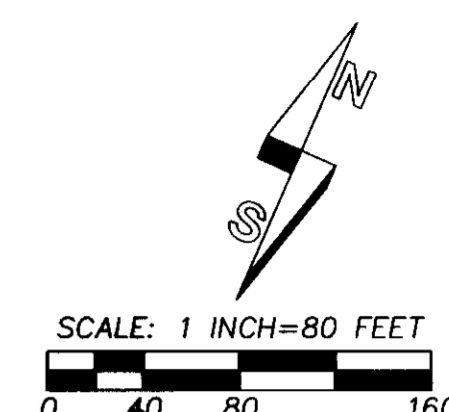
NOTES:

(A) FOUND BOLT WHICH BEARS S 37°40' W, 0.5' FROM COMPUTED CORNER, ORIGIN UNKNOWN. NOT HELD.

(B) FOUND BADLY BENT 1/2" REBAR WHICH BEARS S 11°55' W, 0.6' FROM CORNER SET. SURVEY NO. Q-0236-AX. NOT HELD.

(C) FOUND 1" PIPE PROJECTING 2' FROM GROUND, BEARS S 76°50' W, 0.4' FROM CORNER SET. ORIGIN UNKNOWN. NOT HELD.

INTERSECTION OF CENTERLINES OF ISAAC AND S. MAIN STREET. FOUND 3" BRASS DISK PER CITY OF PENDLETON.



NOTE:
THE RECORD DIMENSIONS FOR LOTS 1-7 & 10-16 BLOCK 276 ARE 50.00' BY 100.00' AT RIGHT ANGLES TO ONE ANOTHER. THE RECORD DIMENSIONS OF LOTS 8 & 9 ARE 100.00' BY 62.56' AT RIGHT ANGLES.

MONUMENT RB NO. 6. FOUND DISTURBED STONE WITH CROSS. HELD FOR PROPORTIONING ALONG S. LINE OF RESERVATION ADDITION, BUT NOT FOR LINE. BEARS N 23°36'05" W, 0.56' FROM TRUE LINE.

MONUMENT RB NO. 7. FOUND STONE. THE MEASURE POINT (CROSS) COULD NOT BE IDENTIFIED ON THE TOP OF THE CHIPPED STONE. THE CORNER LOCATION WAS COMPUTED FROM TIES TO SURVEY NO 00-082-B, WHEN THE STONE WAS TIED IN A GPS CONTROL SURVEY FOR THE MILLENNIUM ESTATES SUBDIVISION.

SURVEY CONTROL DIAGRAM

LEGEND

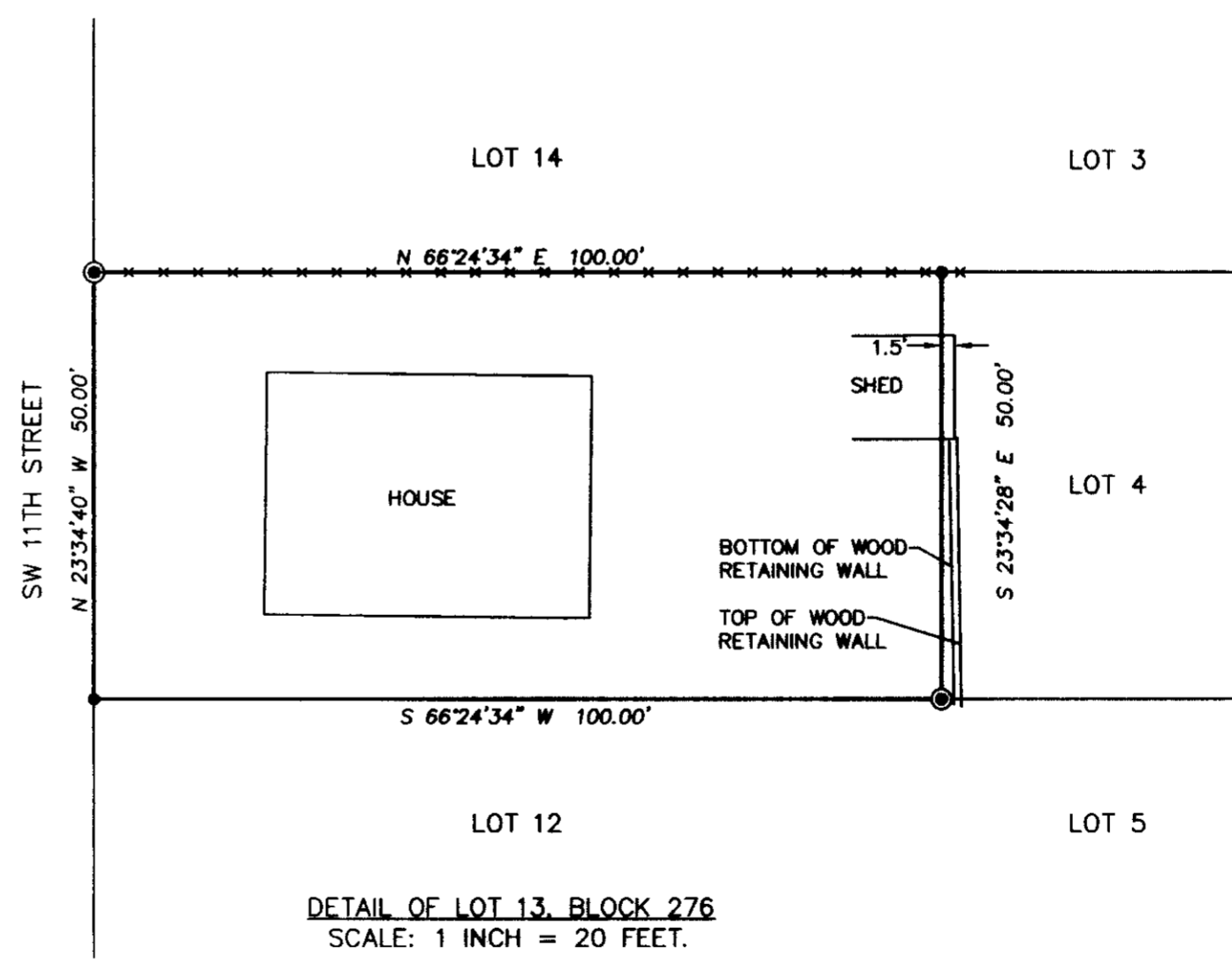
- ⊕ - SURVEY CONTROL MONUMENT AS NOTED.
- - SET 5/8" BY 24" REBAR WITH PURPLE PLASTIC CAP MARKED "WELLS SURVEYING 54657PLS".
- ⊙ - SET 3/4" BRASS WASHER MARKED "PLS 54657" IN LEAD PLUG IN CONCRETE.
- ⊕ - CALCULATED POINT ONLY, NOT SET OR FOUND.
- ⊙ - OTHER MONUMENT FOUND AS NOTED.
- x—x— - INDICATES EXISTING CYCLONE FENCE.
- (XOX) - RECORD DIMENSION PER PLAT OF RESERVATION, (RESERVE) ADDITION.
- S.N. - INDICATES RECORD SURVEY NUMBER OF SURVEY RECORDED IN THE UMATILLA COUNTY SURVEYORS OFFICE.

NOTE: THE SUBDIVISION COMMONLY KNOWN AS RESERVATION ADDITION WAS PLATTED WITH THE NAME RESERVE ADDITION.

NARRATIVE:

THIS BOUNDARY SURVEY WAS MADE AT THE REQUEST OF JERRY AND DEENA DEVAULT TO MONUMENT THE BOUNDARY OF LOT 13, BLOCK 276 RESERVATION ADDITION. CONTROLLING MONUMENT FOUND AND USED FOR CONTROL ARE SHOWN AND DESCRIBED. RECORD SURVEYS CONSULT DURING THE SURVEY ARE NOTED ON THIS MAP. RESERVATION BOUNDARY MONUMENT NO. 6 IS A 10" BY 10" BY 2" ABOVE GROUND STONE IN A GRAVELED DRIVEWAY. THIS STONE HAS BEEN DISPLACED AS NOTED SINCE IT WAS TIED BY THE CITY OF PENDLETON 1976 AND 1982 IN RECORD SURVEYS NUMBERED 89-120-C AND 87-82-B.

THIS SURVEY WAS MADE BY A TWO PERSON CREW USING A TRIMBLE R8 GEODETIC GPS RECEIVER OPERATED OVER THE OREGON REAL TIME GPS NETWORK USING THE CITY OF PENDLETON BASE STATION. CONTROLLING MONUMENTS AND CORNERS SET WERE OBSERVED TWICE FOR REDUNDANCE.



DETAIL OF LOT 13, BLOCK 276
SCALE: 1 INCH = 20 FEET.

RECEIVED BY
Umatilla County Surveyor
Date: 10/16/2013
Rec'd By: *Jason Roberts*
No.: 13-527-B

REGISTERED
PROFESSIONAL
LAND SURVEYOR

Jason M. Wells

OREGON
NOVEMBER 30, 2010
JASON M. WELLS
54657PLS
RENEWS 6/30/14

WELLS SURVEYING
1 SW NYE AVENUE, SUITE B
P.O. BOX 1696
PENDLETON, OR 97801
PHONE: (541) 276-6362

DATE: 09/13 DR. BY: WRW
CK. BY: JMW NO: 13-1452

PROJECT: DEENADROT

BOUNDARY SURVEY FOR:
JERRY & DEENA DEVAULT

LOT 13, BLOCK 276,
RESERVATION ADDITION,
CITY OF PENDLETON
UMATILLA COUNTY, OREGON