

- LEGEND:**
- FND. IRON ROD SIZE AS NOTED, ROBINETT 1948 PLAT OF "CHARLES TRACKS"
 - SET 5/8"X30" IRON REBAR WITH PLASTIC CAP #951
 - ⊙ COMPUTED LOCATION OF OBLITERATED 1/2" IRON ROD FROM MY 1978 SURVEY FOR PETERSON ESTATE
 - (000) OF RECORD, 1948 PLAT OF "CHARLES TRACKS"
 - (000)E OF RECORD, MY 1978 SURVEY FOR PETERSON ESTATE

NARRATIVE:

THE PURPOSE OF THIS SURVEY IS TO STAKE EAST THIRD STREET AS DEDICATED ON THE 1948 PLAT OF "CHARLES TRACKS" SO IT CAN BE IMPROVED TO USE AS ACCESS FOR PARCEL 1 OF PARTITION PLAT 2003-03.

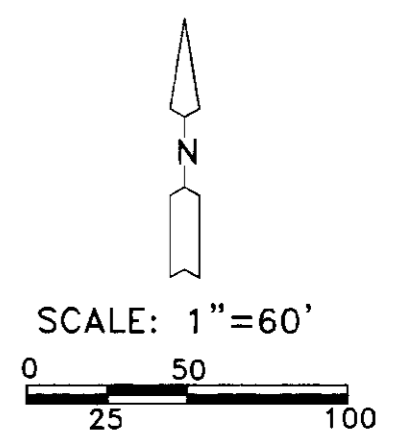
I RETRACED THE PLAT OF "CHARLES TRACKS" TO STAKE THE NORTHERLY PORTION OF SAID STREET AS SHOWN. AS I DISCOVERED IN MY 1978 SURVEY FOR PETERSON ESTATE THERE IS ABOUT A 17 FOOT GAP BETWEEN THE NORTH LINE OF "CHARLES TRACKS" AND THE SOUTH LINE OF PARTITION PLAT 2003-03. BOTH OF THOSE LINES ARE SUPPOSE TO BE THE EAST-WEST CENTER LINE OF THE NORTH HALF OF SECTION 27. I ASSUME THAT GAP WAS CAUSED BY ROBNETT NOT PROPERLY SUBDIVIDING THE SECTION WHEN HE SURVEYED "CHARLES TRACKS" IN 1948. DAVE KRUMBEIN SUBDIVIDED THE SECTION IN A 1972 SURVEY FOR BENSEL (REVISED 1975) AND HIS EAST-WEST CENTER LINE OF THE NORTH HALF OF SECTION 27 FALLS ABOUT 17 FEET NORTH OF ROBNETTS.

I AM DESCRIBING THE 17 FOOT "NO MAN'S LAND" SO IT CAN BE DEDICATED FOR A PUBLIC ROADWAY SINCE IT IS BEING USED FOR THAT PURPOSE AT THIS TIME.

REGISTERED
PROFESSIONAL
LAND SURVEYOR

G. Dennis Edwards

OREGON
JULY 16, 1971
G. DENNIS EDWARDS
9 5 1
RENEWS 12/31/2007



SURVEY FOR KERRY KARLSON
IN BLOCK 7, "CHARLES TRACKS,"
IN SW 1/4, NE 1/4, SEC. 27, T 5 N,
R 28 E, W.M., UMATILLA COUNTY, OREGON
09/17/2007 JOB# S0708150A
EDWARDS SURVEYING P.O. BOX 763
541-567-3336 HERMISTON, OREGON 97838
DRAWN BY JMC

Umatilla County Surveyor
Date 12-07
Reviewed by KK
No. 07-284-A