

**NARRATIVE:**

THE PURPOSE OF THIS SURVEY IS TO STAKE THE EAST LINE OF THAT TRACT OF LAND DEEDED TO WARREN AND BETTY WHEELER IN BOOK 277, PAGE 33, UMATILLA COUNTY DEED RECORDS, TO SEE WHERE FENCE LINES LAY IN RELATION TO IT. I BASED THE BEARINGS ON MY 1994-1 MOUMENTATION SURVEY FOR UMATILLA COUNTY IN 1995.

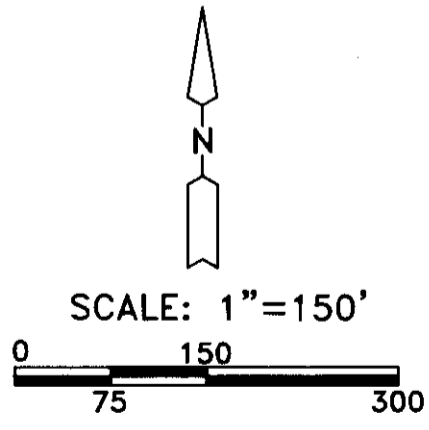
REGISTERED PROFESSIONAL LAND SURVEYOR

*G. Dennis Edwards*

OREGON  
JULY 16, 1971  
G. DENNIS EDWARDS  
9 5 1  
RENEWS 12/31/2007

**LEGEND:**

- FOUND MONUMENTS AS NOTED
- SET 5/8"X30" IRON REBAR WITH PLASTIC CAP #951



RECEIVED BY  
Umatilla County Surveyor  
Date 8-06  
read by KK  
No. 06-496-H

SURVEY FOR THE WARREN WHEELER TRUST  
c/o AMERICAN WEST PROPERTIES, IN THE SE1/4  
SEC 33, T4N, R29E, WM, UMATILLA CO., OR.  
5/23/06 JOB# S0503077  
EDWARDS SURVEYING P.O. BOX 763  
541-567-3336 HERMISTON, OREGON 97838  
DRAWN BY JMC