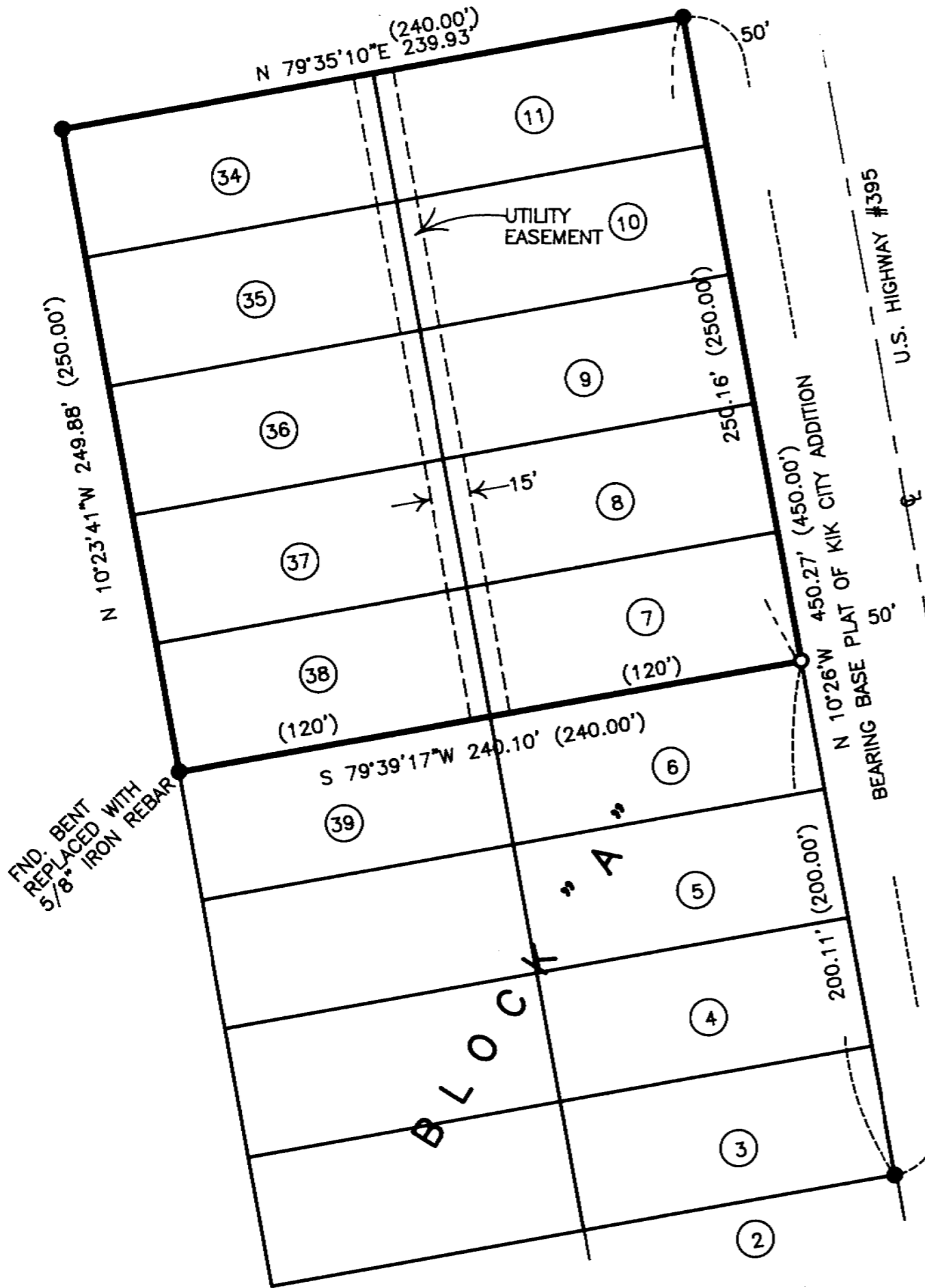
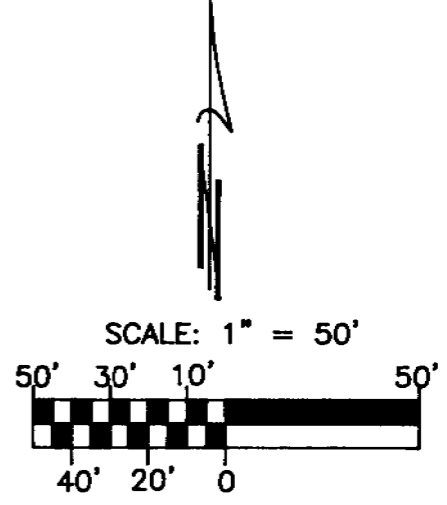


# SURVEYORS NARRATIVE:

THE PURPOSE OF THIS SURVEY IS TO LOCATE THE CORNERS OF THE FOLLOWING DESCRIBED TRACT SO A FENCE CAN BE BUILT. DESCRIPTION: LOTS 7 THROUGH 11 AND LOTS 34 THROUGH 38, BLOCK "A", KIK CITY ADDITION, UMATILLA COUNTY, OREGON.  
 I FOUND THREE OF THE FOUR CORNERS OF THIS TRACT AND RETRACED ROBINETT'S PLAT TO SET THE SOUTHWEST CORNER WITH A 5/8" BY 30" IRON REBAR WITH A PLASTIC CAP #951.



REGISTERED  
 PROFESSIONAL  
 LAND SURVEYOR  
*G. Dennis Edwards*  
 OREGON  
 JULY 16, 1971  
 G. DENNIS EDWARDS  
 951  
 RENEWS 12/31/99



- LEGEND:
- SET 5/8" X 30" IRON REBAR WITH PLASTIC CAP #951
  - FND. 5/8" IRON RODS ROBINETT 1948
  - (000) OF RECORD 1948 PLAT OF KIK CITY ADD.

RECEIVED BY  
 Umatilla County Surveyor  
 Date 6-99  
 Rec'd by KK  
 No. 99-105-A

SURVEY FOR CHARLOTTE DACK  
 IN BLOCK "A", KIK CITY ADDITION, IN THE NW 1/4,  
 SEC. 22, T5N, R28E, W.M., UMATILLA COUNTY, OREGON.  
 5/18/99 JOB NO. S9905163  
 EDWARDS SURVEYING P.O. BOX 763  
 541-567-3336 HERMISTON, OREGON 97838  
 DRAWN BY: LLC

99-105-A