

APPROVALS

UMATILLA COUNTY SURVEYOR

APPROVED THIS 8 DAY OF Nov, 2013

David H. H. [Signature]

UMATILLA COUNTY PLANNING DEPARTMENT

APPROVED THIS 14th DAY OF November, 2013

[Signature]

WEST EXTENSION IRRIGATION DISTRICT

APPROVED THIS 1st DAY OF Nov, 2013

Bruce J. Bridgewater

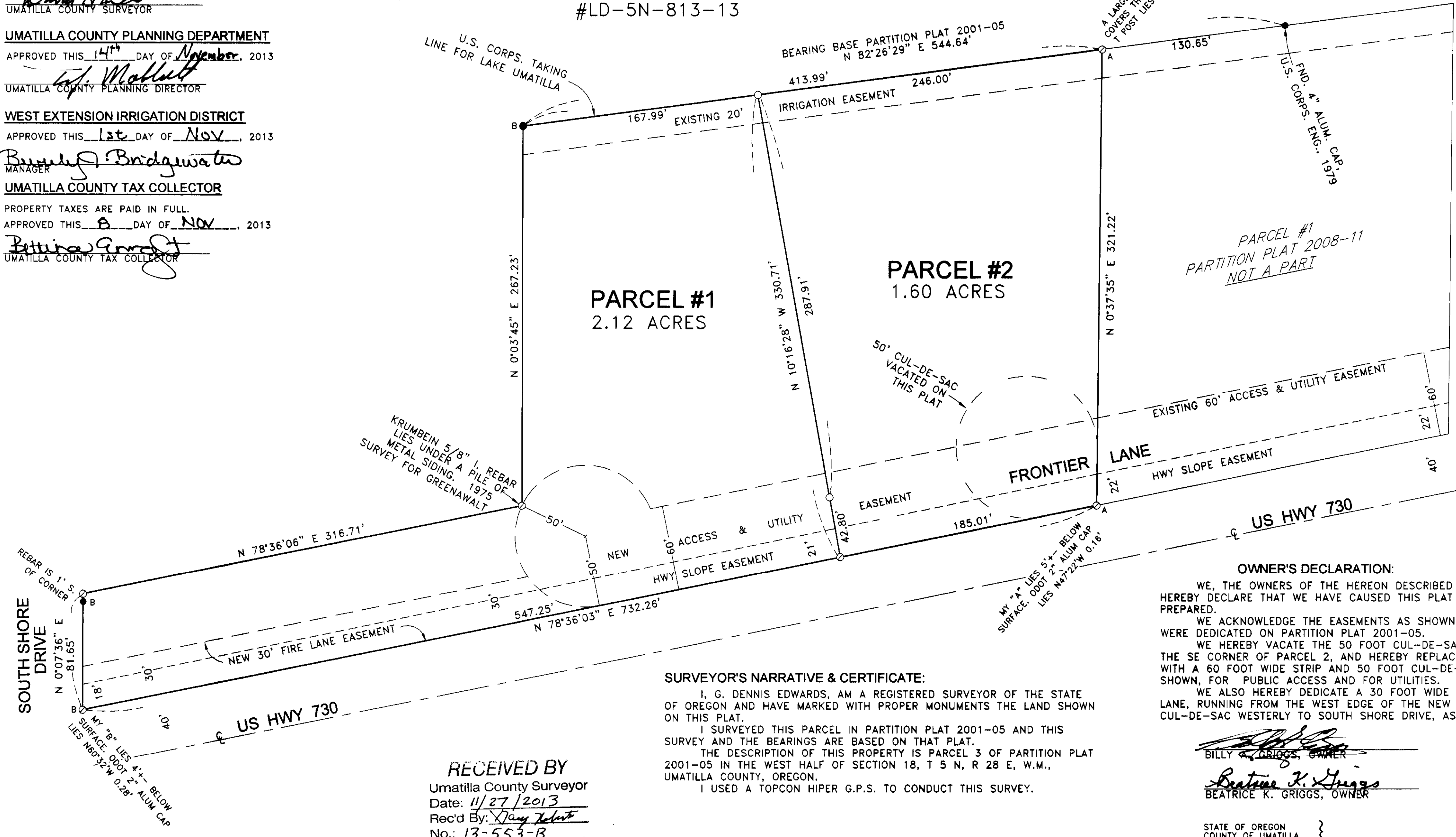
UMATILLA COUNTY TAX COLLECTOR

PROPERTY TAXES ARE PAID IN FULL. APPROVED THIS 8 DAY OF NOV, 2013

[Signature]

PARTITION PLAT 2013-15

A REPLAT OF PARCEL 3 OF PARTITION PLAT 2001-05; IN THE SW 1/4 SEC. 18, T 5 N, R 28 E, W.M., UMATILLA COUNTY, OREGON #LD-5N-813-13



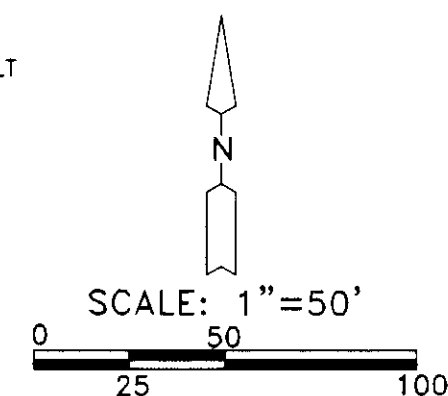
SURVEYOR'S NARRATIVE & CERTIFICATE:

I, G. DENNIS EDWARDS, AM A REGISTERED SURVEYOR OF THE STATE OF OREGON AND HAVE MARKED WITH PROPER MONUMENTS THE LAND SHOWN ON THIS PLAT. I SURVEYED THIS PARCEL IN PARTITION PLAT 2001-05 AND THIS SURVEY AND THE BEARINGS ARE BASED ON THAT PLAT. THE DESCRIPTION OF THIS PROPERTY IS THAT PARCEL 3 OF PARTITION PLAT 2001-05 IN THE WEST HALF OF SECTION 18, T 5 N, R 28 E, W.M., UMATILLA COUNTY, OREGON. I USED A TOPCON HIPER G.P.S. TO CONDUCT THIS SURVEY.

OWNER'S DECLARATION: WE, THE OWNERS OF THE HEREON DESCRIBED LAND, HEREBY DECLARE THAT WE HAVE CAUSED THIS PLAT TO BE PREPARED. WE ACKNOWLEDGE THE EASEMENTS AS SHOWN WHICH WERE DEDICATED ON PARTITION PLAT 2001-05. WE HEREBY VACATE THE 50 FOOT CUL-DE-SAC AT THE SE CORNER OF PARCEL 2, AND HEREBY REPLACE IT WITH A 60 FOOT WIDE STRIP AND 50 FOOT CUL-DE-SAC, AS SHOWN, FOR PUBLIC ACCESS AND FOR UTILITIES. WE ALSO HEREBY DEDICATE A 30 FOOT WIDE FIRE LANE, RUNNING FROM THE WEST EDGE OF THE NEW CUL-DE-SAC WESTERLY TO SOUTH SHORE DRIVE, AS SHOWN.

RECEIVED BY Umatilla County Surveyor Date: 11/27/2013 Rec'd By: [Signature] No.: 13-553-B

- LEGEND: ● MONUMENTS FOUND AS NOTED OR A ● FND. 5/8" IRON REBAR WITH PLASTIC CAP #951, MY PARTITION PLAT #2001-05 B ● FND. 5/8" IRON REBAR WITH PLASTIC CAP #951, MY 1993 SURVEY FOR GREENAWALT ○ SET 5/8"x30" IRON REBAR WITH PLASTIC CAP #951 ⊙ COMPUTED LOCATION



REGISTERED PROFESSIONAL LAND SURVEYOR G. Dennis Edwards OREGON JULY 16, 1971 G. DENNIS EDWARDS 951 RENEWS 12/31/2013

STATE OF OREGON, COUNTY OF UMATILLA } I certify that this instrument was received and recorded ON November 15, 2013 at 2:01 o'clock pm., in the record of PLATS of said County. YEAR 2013 NUMBER 15 Slide

OFFICE OF COUNTY RECORDS By: ...Steve Churchill...Records Officer Fees \$ 73.00 No. 2013-6110799

[Signature] BILLY A. GRIGGS, OWNER [Signature] BEATRICE K. GRIGGS, OWNER

STATE OF OREGON COUNTY OF UMATILLA } BEFORE ME ON THIS 1st DAY OF November, 2013 APPEARED BILLY A. GRIGGS AND BEATRICE K. GRIGGS, OWNERS, AND ACKNOWLEDGED THE FOREGOING DECLARATION Lisa M Baum NOTARY PUBLIC FOR OREGON LISA M BAUM PRINTED NAME COMMISSION NO. 450919 MY COMMISSION EXPIRES 8/3/14

THIS IS AN EXACT COPY: [Signature] G. DENNIS EDWARDS