

OREGON CORNER RESTORATION FORM

Section: 12, 7 Township: 3N Range: 33E, 34E
County: Umatilla Date: 3/8/2012

Corner Designation: 3N33G25

Quarter corner common to Sections 12, R3NR33E; 7, R3NR34E.

	Condition Report Only
X	Not Found
X	Remonumented
	Unrecorded
X	Surveyed In
X	Referenced Out

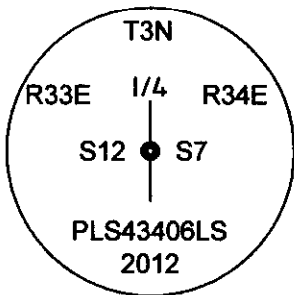
Previous Renewals / Surveys, etc.

Originally surveyed by Thompson in 1864. He set a post in a mound of earth, with charred stake, pits, and trench. In 1885 Zahner set a 24" x 10" x 12" rock in an unnumbered Private Survey as recorded in Book 1, pp. 98-99.

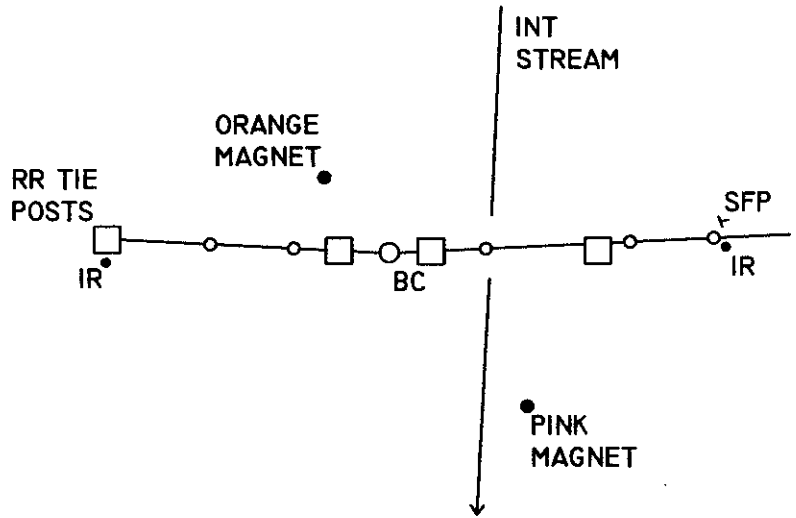
Monuments and Accessories Found: (Condition and Source):

None.

Diagram



Sketch



NAD 83/91
OREGON STATE PLANE NORTH
INTERNATIONAL FEET

N766627.68
E8681522.52

Monument(s) Set (Procedures and Description):

A 1 1/8" x 30" galvanized iron pipe with 2 1/2" brass cap, stamped as shown above, 6" below the surface North of the fence line; the surface to the South of the fence line is approximately 1' lower. The corner location was reestablished at the intersection of the North-South line between neighboring corners and the East-West fence line.

References Set:

- "Deep One" magnets by Berntsen.
- An orange magnet lies N 39° 50' W, 20.57', 1.7' deep.
- A 5/8" x 30" iron rebar w/RPC #43406 lies N 88° E, 70.23', at a steel fence post.
- A pink magnet lies S 40° 40' E, 43.23', 1.5' deep.
- A 5/8" x 30" iron rebar w/RPC #43406 lies S 89° W, 59.03', at a railroad tie post.

Location and Comments:

The corner is located 1/2 mile South and 1 mile West of the intersection of Deining Rd. and Rothrock Rd.

Compass Declination

17° E

Surveyors Seal

REGISTERED
PROFESSIONAL
LAND SURVEYOR

Robert D. English
OREGON
JANUARY 11, 2005
ROBERT DOUGLAS ENGLISH
43406LS

RECEIVED BY:

Firm / Agency

Survey One, LLC.
P.O. Box 382
Pendleton, OR 97801
(541) 276-2055

RENEWAL DATE: 12/31/13

Date: 7/10/2012
Rec'd By: S. Res
No. 12-094-C