

OREGON CORNER RESTORATION FORM

Section 15 Township 3N Range 28E
 County Umatilla Date: 06-21-02

Corner Designation: 3N28R15

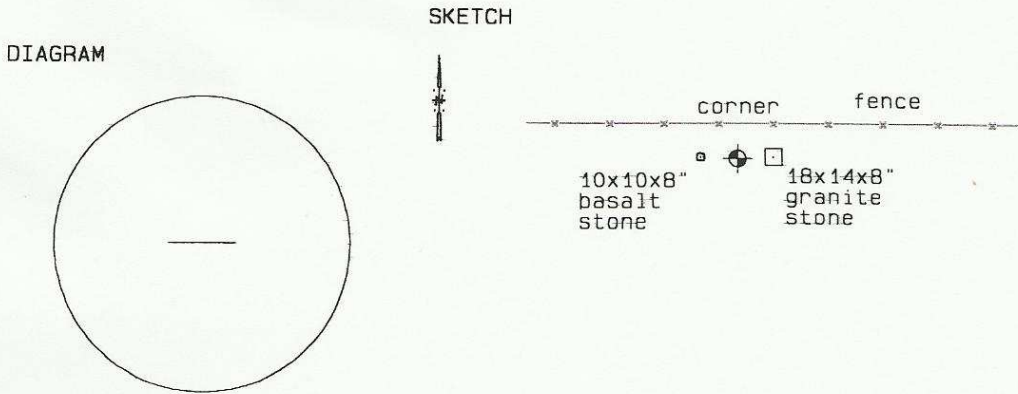
	Condition Report Only
	Not Found
	Remonumented
x	Unrecorded
	Surveyed In
	Referenced Out

Previous Renewals / Surveys, etc.

Survey H-107-B records finding an iron pin here.
 Survey S-119-B records finding a 3/4" iron pin here.

Monument and Accessories Found: (condition and source)

Found a 5/8 smooth iron pin with a 10x10x8 basalt stone west and a 18x14x8 granite stone east as shown below. The pin is driven in the ground at about 25' from the vertical in an east west direction. I took the top of the pin as the location for the position reported below.



MONUMENT (S) AND ACCESSORIES SET (Procedures and Description)

None.

REFERENCES SET:

None.

Made GPS tie to TRI Station Stanfield East Base. Latitude 45°43'07.79966"N Longitude 119°18'01.23882"W NAD 83(1991)	Oregon State Plane Coord. - North Zone Northing 750452.14 Easting 8508497.06 Ortho Height 687.06 Ellipsoidal Height 617.50
---	--

Location and Comments Compass Declination Surveyors Seal

From the junctions of Highways 207 and 320, go north 0.6 mile. Turn east and follow a gravel road east 2.1 mile to a cattleguard at a fence corner. From this fence corner, follow the fence east 0.5 mile to the corner.

REGISTERED
 PROFESSIONAL
 LAND SURVEYOR

RECEIVED BY:

Firm / Agency

David L. Haddock

Date: 7-02
 Rec'd By: KK
 No. 02-787-9

Haddock Surveying
 P. O. Box 1574
 Pendleton, OR 97801
 (541) 276-2174

OREGON
 JULY 12, 1968
 DAVID L. HADDOCK
 852