

# OREGON CORNER RESTORATION FORM

Section 21 Township 3N Range 28E  
 County Umatilla Date: 06-21-02

Corner Designation: 3N28R11

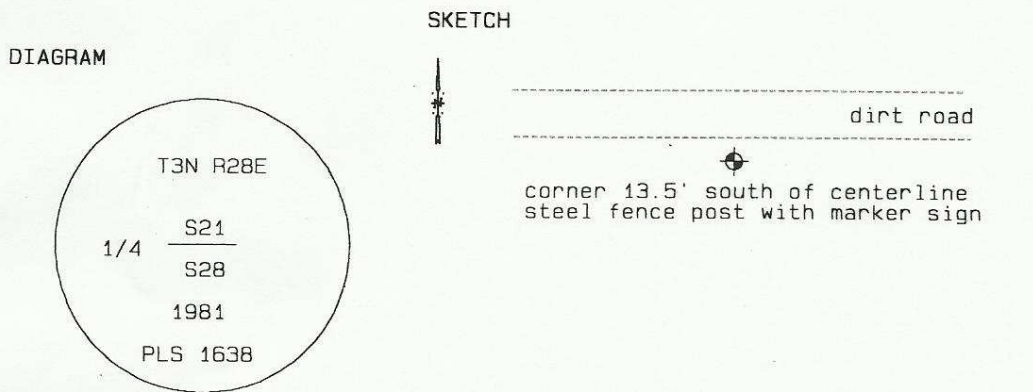
x	Condition Report Only
	Not Found
	Re-monumented
x	Unrecorded
	Surveyed In
	Referenced Out

Previous Renewals / Surveys, etc.

Survey S-119-B records setting a brass capped monument here.

Monument and Accessories Found: ( condition and source )

Found a brass capped monument stamped as shown in the diagram.



MONUMENT (S) AND ACCESSORIES SET (Procedures and Description)

None.

REFERENCES SET:

None.

Made GPS tie to TRI Station Stanfield East Base. Latitude 45°43'08.08701"N Longitude 119°19'15.85315"W NAD 83(1991)	Oregon State Plane Coord. - North Zone Northing 750403.31 Easting 8503203.45 Ortho Height 679.01 Ellipsoidal Height 609.42
---	--

Location and Comments      Compass Declination      Surveyors Seal  
 20 °E

From the junctions of Highways 207 and 320, go north 0.6 mile. Turn east and follow a gravel road east 1.6 mile to the corner.

REGISTERED  
 PROFESSIONAL  
 LAND SURVEYOR

RECEIVED BY:

Firm / Agency

*David L. Haddock*

Date: 7-02  
 Rec'd By: KK  
 No. 02-187-g

Haddock Surveying  
 P. O. Box 1574  
 Pendleton, OR 97801  
 (541) 276-2174

OREGON  
 JULY 12, 1968  
 DAVID L. HADDOCK  
 852

RENEWS 6-30-03