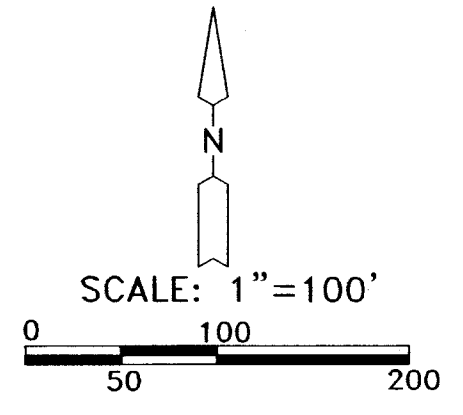


SURVEYOR'S NARRATIVE:

THE PURPOSE OF THIS SURVEY IS TO DO A BOUNDARY LINE ADJUSTMENT ON TWO TAX LOTS WHICH ARE DESCRIBED IN A DEED TO IVAN J. COOK AND COLLEEN COOK ON INSTRUMENT NUMBER 2005-4920355, UMATILLA COUNTY DEED RECORDS. THIS PROPERTY IS BOUNDED ON THE SOUTH BY WEST UMATILLA VECTOR DISTRICT PROPERTY AND ON THE EAST BY THE U.S.R.S. FEED CANAL AND ON THE WEST BY THE HERMISTON-HINKLE ROAD. TOM LAGIER SURVEYED ALL OF THOSE LINES IN A 1978 SURVEY FOR IVAN AND VERNON COOK. THE NORTHERLY LINES OF THIS TRACT ARE BOUNDED BY PROPERTY DEEDED TO MIKAMI BROS. LP, AND THAT PROPERTY WAS SURVEYED BY BRIAN WEIGART IN A 1977 SURVEY FOR CIRCLE "C". WEIGART'S SURVEY DOES NOT MATCH LAGIER'S SURVEY BECAUSE HE USED A SINGLE PROPORTIONED QUARTER CORNER COMMON TO SECTIONS 23 AND 24. IT WAS 3.6 FEET NORTH AND 1.75 FEET EAST OF THE QUARTER CORNER USED BY LAGIER WHICH IS NOW MONUMENTED AND ACCEPTED AS THE OFFICIAL QUARTER CORNER. I HELD WEIGART'S SURVEY AND MONUMENTS FOR THE NORTHERLY LINES OF THIS SURVEY BECAUSE THEY ARE WHERE MIKAMI BROTHERS TOOK POSSESSION. ALSO IF MIKAMI'S DEED WAS SURVEYED FROM THE CORRECT QUARTER CORNER THE RAILROAD TRACTS ON TAX LOT 700 WOULD BE ABOUT 20 FEET SOUTH OF THE NORTH LINE OF THE 50 FOOT STRIP. THIS SURVEY WAS CONDUCTED IN REAL TIME KINEMATIC WITH A TOPCON HIPER + G.P.S.

REGISTERED PROFESSIONAL LAND SURVEYOR
Dennis Edwards
 OREGON
 JULY 16, 1971
 G. DENNIS EDWARDS
 9 5 1
 RENEWS 12/31/2009



- LEGEND:**
- FOUND MONUMENTS AS NOTED OR
 - A ● FND. 5/8" I. REBAR WITH ALUM. CAP WEIGART 1977 SURVEY FOR CIRCLE "C"
 - B ● FND. 5/8" I. REBAR LAGIER 1978 SURVEY FOR IVAN & VERNON COOK
 - SET 5/8"x30" IRON REBAR WITH PLASTIC CAP #951
 - A ○ COMPUTED LOCATION FROM WEIGART 1977 SURVEY FOR CIRCLE "C"
 - B ○ COMPUTED LOCATION FROM LAGIER 1978 SURVEY FOR IVAN & VERNON COOK
 - (000)W OF RECORD, WEIGART 1977 SURVEY FOR CIRCLE "C"
 - (000)L OF RECORD, LAGIER 1978 SURVEY FOR IVAN & VERNON COOK

SURVEY FOR IVAN COOK
 IN SW 1/4, SEC. 23, T 4 N, R 28 E,
 W.M., UMATILLA COUNTY, OREGON
 12/01/2008 JOB# S081145
 EDWARDS SURVEYING P.O. BOX 763
 541-567-3336 HERMISTON, OREGON 97838
 DRAWN BY JMC