

This map was prepared for Assessment & Taxation purposes only and was NOT prepared nor is it suitable for legal, engineering or surveying purposes.

Cancelled Tax Lots

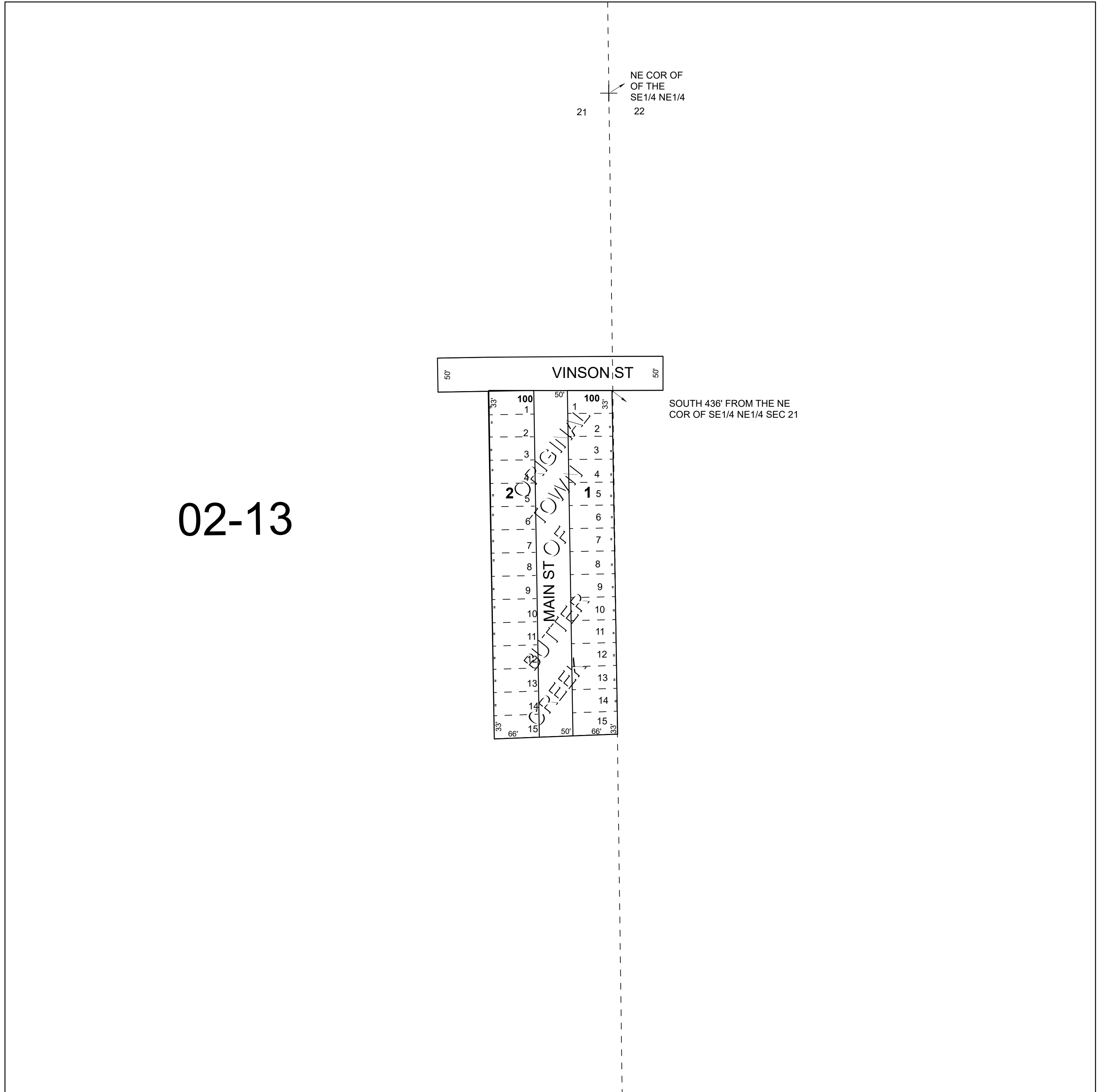
# SE 1/4 NE 1/4 SEC 21 T1S R30E WM

## UMATILLA COUNTY

SCALE 1" = 100'

See Map 1S 30

### 1S 30 21AD



See Map 1S 30

See Map 1S 30