

AGENDA ITEM FOR ADMINISTRATIVE MEETING

( ) Discussion only  
(X) Action

FROM (DEPT/ DIVISION): Public Works  
PROGRAM: Equipment  
SUBJECT: LITESYS Reader Board

<p><b>Background:</b> The Public Works Department is requesting authority to purchase 2- LITESYS Reader boards. This is primarily a safety product designed to keep our employees as well as the public safe while we are working on our county roads. This would be purchased through a Washington state contract listed on the proposal. The total cost of 2 reader boards would be \$23,186.56.</p>	<p><b><u>ACTION REQUESTED:</u></b> Authorize purchase of two reader reader boards from LiteSys Inc. in the amount of \$23,186.56</p>
--	--

ATTACHMENTS: Quote from LITESYS INC.  
Date: (5/7/2019 ) Submitted By: (Tom Fellows)

\*\*\*\*\*For Internal Use Only\*\*\*\*\*

Checkoffs:

- ( ) Exec. Asst.
- ( ) Dept. Head (copy)
- ( ) Human Resources (copy)
- ( ) Budget (copy)
- ( ) Fiscal
- ( ) Legal (copy)
- ( ) (Other - List)

To be notified of Meeting:

Needed at Meeting:

PLEASE RETURN THIS FORM AND ATTACHMENTS TO Executive Assistant  
\*\*\*\*\*

Scheduled for meeting on: May 15, 2019

Action taken:

\*\*\*\*\*



**LiteSys® Inc**  
 Sales Department  
 Phone: (406) 388-9317  
 Fax: (406)388-9319  
 sales@litesys.com

**Quotation: 19041102**

**Date: 04/11/2019**

**Bill To:**

Tom Fellows  
 Umatilla County Road  
 Department  
 3920 Westgate  
 Pendleton, OR 97801  
 (541) 278-5424  
 tom.fellows@umatillacounty.  
 net

**Ship To:**

Tom Fellows  
 Umatilla County Road  
 Department  
 3920 Westgate  
 Pendleton, OR 97801  
 (541) 278-5424  
 tom.fellows@umatillacounty.  
 net

**Quote Expires: 05/11/2019**

**Est. Ship Date: 4-6 Weeks ARO**

**Est. Delivery: 5-7 Weeks ARO**

Price listed below is based on Washington Contract 06212

Oregon Cities and Counties who are members of the Oregon Cooperative Procurement Program OCPP are able to purchase off the contract.

Umatilla County is a OCPP Member: Agency #C30006

Description	Product Code	Unit Price	Qty	Amount
<b>LiteReader VCMS Model 1020F-4 with Full Mount</b> Package Includes: 1) 2 Line 10", Full Matrix LED Changeable Message Sign 2) Sign Controller w/backlit screen & keypad 3) 30' Power & Communication Cables 4) Upper Mount w/vibration dampening & actuator 5) Actuator Control Box to raise and lower sign 6) Bed Rail Lower Mount *This package is for installing on a pickup truck	1020F-4/UV/AC/BR	\$10,268.03	1	\$10,268.03
<b>Manual Swivel Mount</b> Two-position swivel, allows the operator to manually turn the message sign to be positioned and locked into a rearward or forward facing position.	MTS:MS10	\$1,325.25	1	\$1,325.25

**Total Price** **\$11,593.28**

**Payment Terms**

Net 30

Required When Ordering: Purchase Order

Freight: FOB Destination

Taxes: Taxes Not Included

1 Year Manufacturer's Warranty

*This quotation contains confidential information. Prices and terms listed apply only to the recipient(s) named above. This document and the information may not be disclosed to any third party or used for any other purpose without the express written permission of LiteSys Inc.*

# LiteReader VCMS 1020F-4 w/Bed Rail Full Mount & Manual Swivel Accessory



Part No.: 1020F-4/UV/AC/BR/MS

Weight

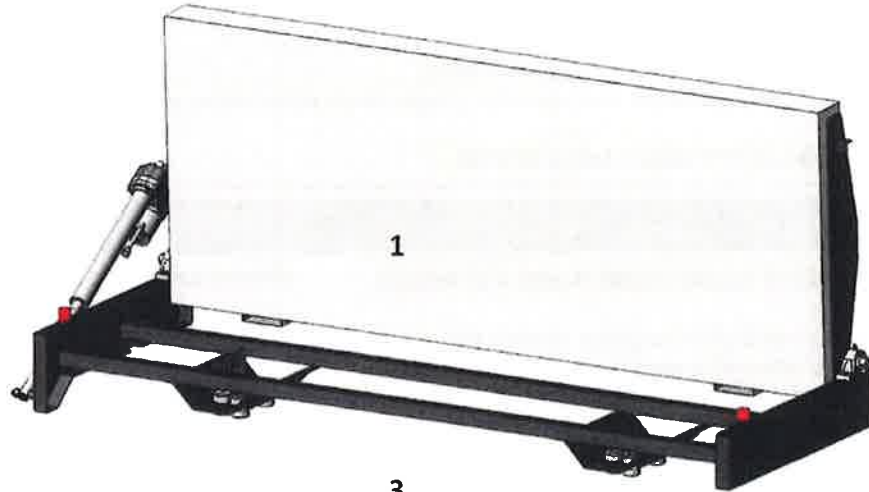
**Package Includes:**

- 1) 2 Line 10", Full Matrix LED Changeable Message Sign
- 2) Sign Controller w/backlit screen & keypad
- 3) Upper Mount w/vibration dampening & actuator
- 4) Actuator Control Box to raise and lower sign
- 5) Manual Swivel Mount to face sign forward or rearward
- 6) Bed Rail Lower Mount - for installing a sign on a pickup truck

403 lbs. (182.8 kg)

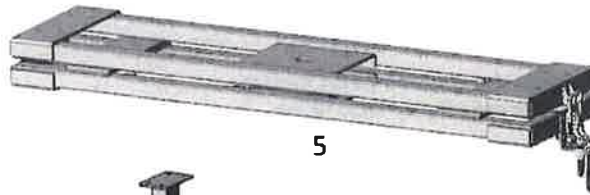


2

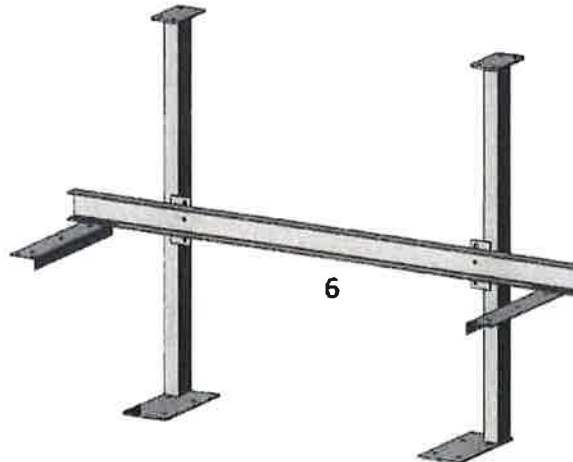


1

3



5



6

**LiteSys** INC<sup>®</sup>

"Safety Begins with Good Communication"™

LiteSys<sup>®</sup> Incorporated ◊ P.O. Box 239 ◊ 150 Pollywog Lane ◊ Belgrade, MT 59714  
Phone: (406) 388-9317 ◊ Fax: (406) 388-9319 ◊ Web: [www.litesys.com](http://www.litesys.com) ◊ Email: [info@litesys.com](mailto:info@litesys.com)

## Contract Summary

### VARIABLE MESSAGE BOARDS

Contract#: 06212 Replaces: 04106 Related Contracts: 03203

DES MANAGEMENT FEE: The following is the only contractor authorized to reflect the management fee as a separate line item (SLI) on an invoice:  
Western Systems

Current Term Start Date: 01-30-2013 Award Date: 12-27-2012 Est. Annual Worth: \$326,618

Current Term Ends On: 01-30-2021 Final Term Ends On: 01-30-2021 Commodity Code(s): 801-09, 801-84, 801-89

Diversity: 0% WBE 0% MBE # of Bids Received: 7

Contact Info: Team D at (360) 407-2215 or [descpimenviroprotec@des.wa.gov](mailto:descpimenviroprotec@des.wa.gov)

#### Who can use this contract?

- » [Organizations with Master Contract Usage Agreements](#)
- » [Oregon Coop Members](#)

#### Current Documents

- » [Pricing & Ordering](#)
- » [Specifications](#)
- » [Contract & Amendments](#)

#### Historical Documents

- » [Solicitation](#)
- » [Bid Tab](#)
- » [Memo to File](#)

#### Resources

- » [Contract Comments](#)
- » [Vendor and Contract Performance Feedback](#)

#### Contractors

	OMWBE	Veteran	Small Business
INTELCOM INC. - w2318		N	N
J&D'S HYDRAULIC AND REPAIR CO. INC - w10873		N	Y
K & K SYSTEMS, INC - w1330		N	N
NATIONAL BARRICADE CO. - w631		N	Y
TRAFFIC SAFETY SUPPLY CO. - w3461		N	N
VER-MAC INC. - w11198		N	N
WESTERN SYSTEMS INC. - w2462		N	N

M=OMWBE Certified Minority Owned W=OMWBE Certified Women Owned MW=OMWBE Certified Minority Women Owned

Information about the number of bids received is included to show:

- Vendors which contracts would benefit from more competition.
- Assure our customers that we sought the best overall value through as many competitive bids as possible.



## Oregon cooperative procurement program

Current members: 697

### Complete list

To reorder this list, hover over the column title and choose from the drop-down menu.

Agency	Agency #
Access, Inc.	X15101
Adair RFPD	R02102
Adelante Mujeres	X34958
Adult Learning Systems of Oregon	X28030
Albany, City of	KA0020
Albertina Kerr Centers YFS (Youth and Family Services)	X28183
Alesea School District	P20003
Alvord-Taylor Independent Living Services	X20055
Amity School District	P36004
Arlington School District	P11003
Arnold Irrigation District	R09108
Ashland School District JCSD #5	P15008
Ashland, City of	KA0010
Assoc. of Oregon Counties	X00793
Astoria School District	P00007
Astoria, City of	KA0417
Astoria, Port of	R04117
Baker Charter Schools (Baker Web Academy)	X01010
Baker City, City of	K01000
Baker County	C01009
Baker School District J5	P01005
Bandon School District	P06050
Bandon, City of	KB0035
Banks School District	P34004
Banks, City of	KB3413
Basin Transit Service District	X18200
Bay Area Enterprises, Inc	X06305
Bay City, City of	KB2910
Beaverton School District 48J	P34048
Beaverton, City of	KB0020
Bend Parks & Recreation District	R09145
Bend, City of	KB0010
Bend-LaPine School District	P09001



Tangent Rural Fire Protection District	R22190
The Children's Learning Center	X16107
The Dalles, City of	KT0011
The Family Center	X20814
The Lighthouse School (North Bend School)	X06012
The Next Door, Inc.	X14300
The Valley School of Southern Oregon	X15302
The Village School (Eugene Village School)	X20057
Three Rivers School District	P17004
Three Sisters Irrigation District	R09670
Tigard, City of	KT3491
Tigard-Tualatin School District #23J	P34023
Tillamook Bay, Port of	R29138
Tillamook County Emergency Comm. Dist.	C29004
Tillamook County Government	C00290
Tillamook County Government-District Attorney	C29020
Tillamook County Government-Health Department	C29007
Tillamook County Government-Information Services	C29003
Tillamook County Government-Parks Department	C29001
Tillamook County Government-Public Works	C29014
Tillamook County Soil and Water Conservation District	R29139
Tillamook County Transportation	C29010
Tillamook School District #9	P29009
Tillamook, City of	KT2990
Toledo, City of	KT0010
Toledo, Port of	R21918
Treasure Valley Community College	P23002
Trillium Charter School	X26024
Tri-Met	X26810
Troutdale, City of	KT2690
Tualatin Hills Park & Recreation District	KT3420
Tualatin Soil & Water Conservation District	R34140
Tualatin Valley Fire and Rescue	R34142
Tualatin Valley Water District	R34750
Tualatin, City of	KT3410
Turner, City of	KT2412
Umatilla County	C30006
Umatilla-Morrow Head Start, Inc.	X30013
Umatilla-Morrow Radio & Data District	C30009
Umpqua Community College	P00590
Union County	C31002
Union County School District #11	P31011
Union, City of	KU3193
United Community Action Network	X10005
United Way of the Columbia Willamette	X28989
University of Oregon	580501
University of Portland	P28941
Upper Deschutes Watershed Council	X09034



**State of Washington**  
**Pricing & Ordering Information**  
Effective Date: January 1, 2017

**Contract number:** 06212 (replaces 04106)      **Commodity code:** 801-09, 201-71, 801-84, 801-89

**Contract title:** Variable Message Boards  
(LED/ Reflective, Electric/Solar, Truck Mount/Trailer Mounted)

**Purpose:** Establish new contract.

**Award date:** 01/30/2013

**Period of performance:** 01/30/2013    **through:**    01/30/2021

**Contract term:** Not to exceed eight years, 01/30/2021

**Contract type:** This contract is designated as **mandatory** use.

**Products/Services available:** Variable Message Signs, Trailer Mounted, Truck Mounted, 2-Line, 3-Line, Full Matrix small, mid, large; Line Matrix mid, large; Arrow Board

**Related product contracts:** 02612 Variable Message Boards (Front Access)

**Contractor:** [LiteSys,](#)

**Primary users:** All State Agencies, Political Subdivisions of Washington and Oregon State, Qualified Non-profit Corporations, Materials Management Center, Participating Institutions of Higher Education (College and Universities, Community and Technical Colleges).

**Contracts Specialist:** Melanie Williams  
**Phone Number:** (360) 407-9399  
**Fax Number:** (360) 586-2426  
**Email:** [melanie.williams@des.wa.gov](mailto:melanie.williams@des.wa.gov)

**Alternative Contact** Customer Service  
**Phone Number:** (360) 407-2210  
**Fax Number:** (360) 586-2426  
**Email:** [contractingandpurchasing@des.wa.gov](mailto:contractingandpurchasing@des.wa.gov)

*Visit our Internet site:* [www.des.wa.gov](http://www.des.wa.gov)

**CONTRACTOR INFORMATION, INTELICOM/LITESYS**

**Contractor:** Intelicom, Inc. dba LiteSys, Inc.  
150 Pollywog Lane  
Belgrade, MT 59714  
**Contact:** Kendall Kanning  
**Phone:** 406-388-9317  
**Fax:** 406-388-9319  
**Email:** [kendall@litesys.com](mailto:kendall@litesys.com) or [info@litesys.com](mailto:info@litesys.com)

**Internet address:** <http://www.litesys.com>

**Federal ID No.:** 81-0489057

**Payment address:** Intelicom Inc. dba LiteSys Inc.  
P.O. Box 239  
Belgrade, MT 59714

**Order placement contact:** Attn. Kendall Kanning

**Credit card acceptance:** Yes – VISA, Master Card

**Minimum orders:** N/A

**Delivery time:** 30-45 Days After Receipt of Order (ARO).

**Payment terms:** 0%, Net 30 Days

**Shipping destination:** Freight on Board (FOB) destination

**Freight:** Prepaid and Included

**NOTES:** See Link below to access contract 06212 summary page  
<https://fortress.wa.gov/ga/apps/contractsearch/ContractSummary.aspx?c=06212>



**INTELCOM/ LITESYS®**  
**PRICE SHEETS**

Item	Description	Unit	Unit Price
<b>1.</b>	2 Line Message Sign; Vehicle Mounted (2159). Mfg.: <u>Intelicom Inc., dba LiteSys® Inc.</u> Brand/Model: <u>LiteReader® VCMS Model 1020A-4 Character Matrix</u>		
	• Full Mount Option	Each	\$8,971.44
	• Low Profile Upper Mount Option	Each	\$8,719.57
	• Exo-Frame Mount Option	Each	\$8,215.85
	Lead-time: Materials, equipment or services will be delivered within <u>30-45</u> calendar days after receipt of order (ARO)		
	2 Line Message Sign; Vehicle Mounted (2159). Mfg.: <u>Intelicom Inc., dba LiteSys® Inc.</u> Brand/Model: <u>LiteReader® VCMS Model 1020F-4 Full Matrix</u>		
• Full Mount Option	Each	\$10,268.03	
• Low Profile Upper Mount Option	Each	\$10,016.17	
• Exo-Frame Mount Option	Each	\$9,512.44	
Lead-time: Materials, equipment or services will be delivered within <u>30-45</u> calendar days after receipt of order (ARO)			
<b>2.</b>	3 Line Message Sign; Vehicle Mounted (2160). Mfg.: <u>Intelicom Inc., dba LiteSys® Inc.</u> Brand/Model: <u>LiteReader® VCMS Model 1030A-4 Character Matrix</u>		
	• Full Mount Option	Each	\$11,365.15
	• Low Profile Upper Mount Option	Each	\$11,113.29
	• Exo-Frame Mount Option	Each	\$10,609.56
Lead-time: Materials, equipment or services will be delivered within <u>30-45</u> calendar days after receipt of order (ARO)			

Pricing & Ordering Information  
 Contract No. 06212

	<p>3 Line Message Sign; Vehicle Mounted (2160).            Mfg.: <u>Intelicom Inc., dba LiteSys® Inc.</u>            Brand/Model: <u>LiteReader® VCMS Model 1030F-4 Full Matrix</u></p> <ul style="list-style-type: none"> <li>• Full Mount Option</li> <li>• Low Profile Upper Mount Option</li> <li>• Exo-Frame Mount Option</li> </ul> <p>Lead-time: Materials, equipment or services will be delivered within <u>30-45</u> days after receipt of order (ARO)</p> <p>3 Line Message Sign; Vehicle Mounted (2160).            Mfg.: <u>Intelicom Inc., dba LiteSys® Inc.</u>            Brand/Model: <u>LiteReader® VCMS Model 1030F-4S Full Matrix with Motorist Speed Feedback "Radar" System</u></p> <ul style="list-style-type: none"> <li>• Full Mount Option</li> <li>• Low Profile Upper Mount Option</li> <li>• Exo-Frame Mount Option</li> </ul> <p>Lead-time: Materials, equipment or services will be delivered within <u>30-45</u> calendar days after receipt of order (ARO)</p> <p>3 Line Message Sign; Vehicle Mounted (2160).            Mfg.: <u>Intelicom Inc., dba LiteSys® Inc.</u>            Brand/Model: <u>LiteReader® VCMS Model 1230F-4 Full Matrix</u></p> <ul style="list-style-type: none"> <li>• Full Mount Option</li> <li>• Low Profile Upper Mount Option</li> <li>• Exo-Frame Mount Option</li> </ul> <p>Lead-time: Materials, equipment or services will be delivered within <u>30-45</u> calendar days after receipt of order (ARO)</p>	<p>Each</p> <p>Each</p> <p>Each</p> <p>Each</p> <p>Each</p> <p>Each</p> <p>Each</p> <p>Each</p>	<p>\$12,562.01</p> <p>\$12,310.15</p> <p>\$11,806.42</p> <p>\$15,907.40</p> <p>\$15,655.54</p> <p>\$15,151.81</p> <p>\$15,610.52</p> <p>\$15,257.91</p> <p>\$14,603.06</p>
<p><b>Mount Accessory Options for Items 1 and 2 – LiteReader® VCMS Models 1020A-4, 1020F-4, 1030A-4, 1030F-4, &amp; 1030F-4S (Not Available for Model 1230F-4)</b></p>			
	<p>MTS: MS10 – Manual Swivel Mount Accessory</p> <p>Lead-time: Materials, equipment or services will be delivered within <u>30-45</u> calendar days after receipt of order (ARO)</p> <p>MTS: PS10 – Powered Swivel Mount Accessory</p> <p>Lead-time: Materials, equipment or services will be delivered within <u>45-60</u> calendar days after receipt of order (ARO)</p>	<p>Each</p> <p>Each</p>	<p>\$1,325.25</p> <p>\$3,795.25</p>