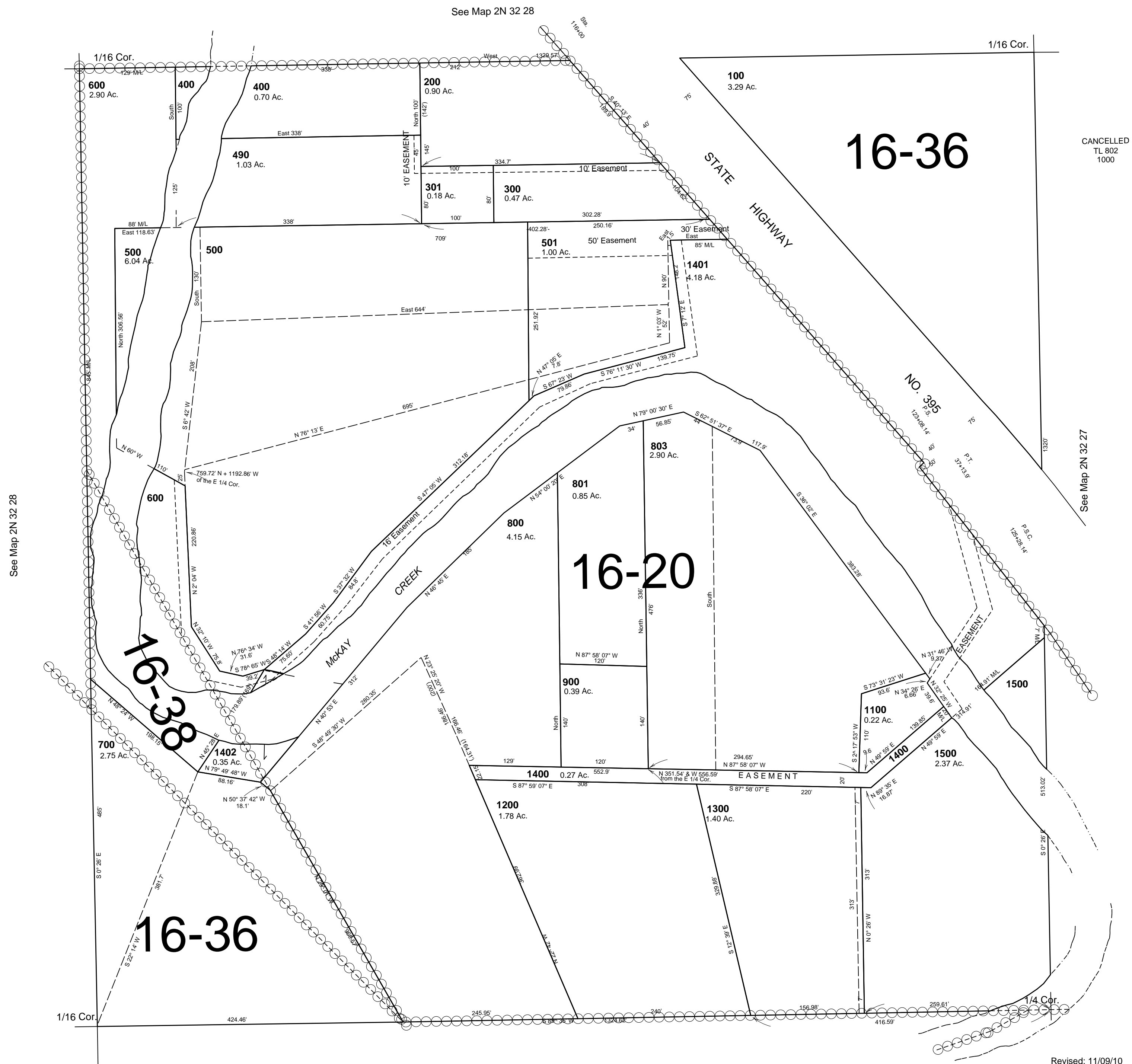


This map was prepared for Assessment & Taxation purposes only and was NOT prepared nor is it suitable for legal, engineering or surveying purposes.

SE1/4 NE1/4 SEC 28 T2N R32E WM
UMATILLA COUNTY
SCALE 1"=100'

2N 32 28AD
AERIAL PHOTO NO. 4P-59



See Map 2N 32 28

See Map 2N 32 28

CANCELLED
TL 802
1000

See Map 2N 32 27

See Map 2N 32 28

Revised: 11/09/10

2N 32 28AD